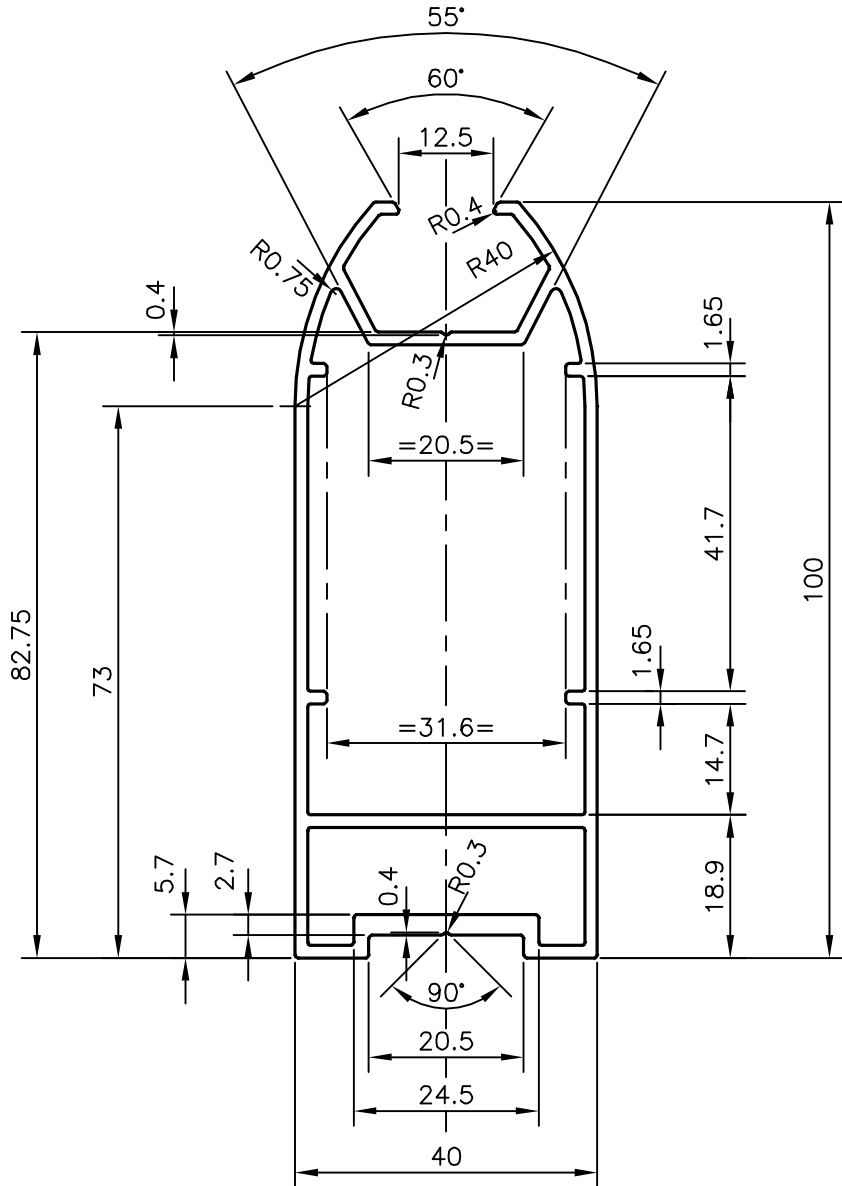


P-9829

X2451



UNSPECIFIED WALL THICKNESS 1.65 mm



SYMBOL OF QUALITY  
AN ISO 9001 COMPANY

**JINDAL ALUMINIUM LTD.**  
BANGALORE-560073 (INDIA)

	NAME	DATE
DRAWN	J.P.KAUSHIK	19-02-2010
CHECKED		
APPROVED	J.N.RAI	13-12-2018

1. ALL DIMENSIONS ARE IN mm.
2. ROUND OFF ALL SHARP CORNERS WITH 0.40 mm.
3. TOLERANCES WILL BE AS PER BS:EN-755 UNLESS OTHERWISE SPECIFIED

SCALE	1:1
AREA mm <sup>2</sup>	583.355
PERIMETER mm.	319.022
WEIGHT kg/m	1.575

PARTY'S NAME: SLV, 30 RUE CLAUDE CHAPPE

PARTY'S DRAWING No.: AS PER SAMPLE

ALLOY & TEMPER: 6063 T6

DESCRIPTION: MISC. SECTION

DRAWING No.	SECTION No.
P-9829	-
X2451	X2451