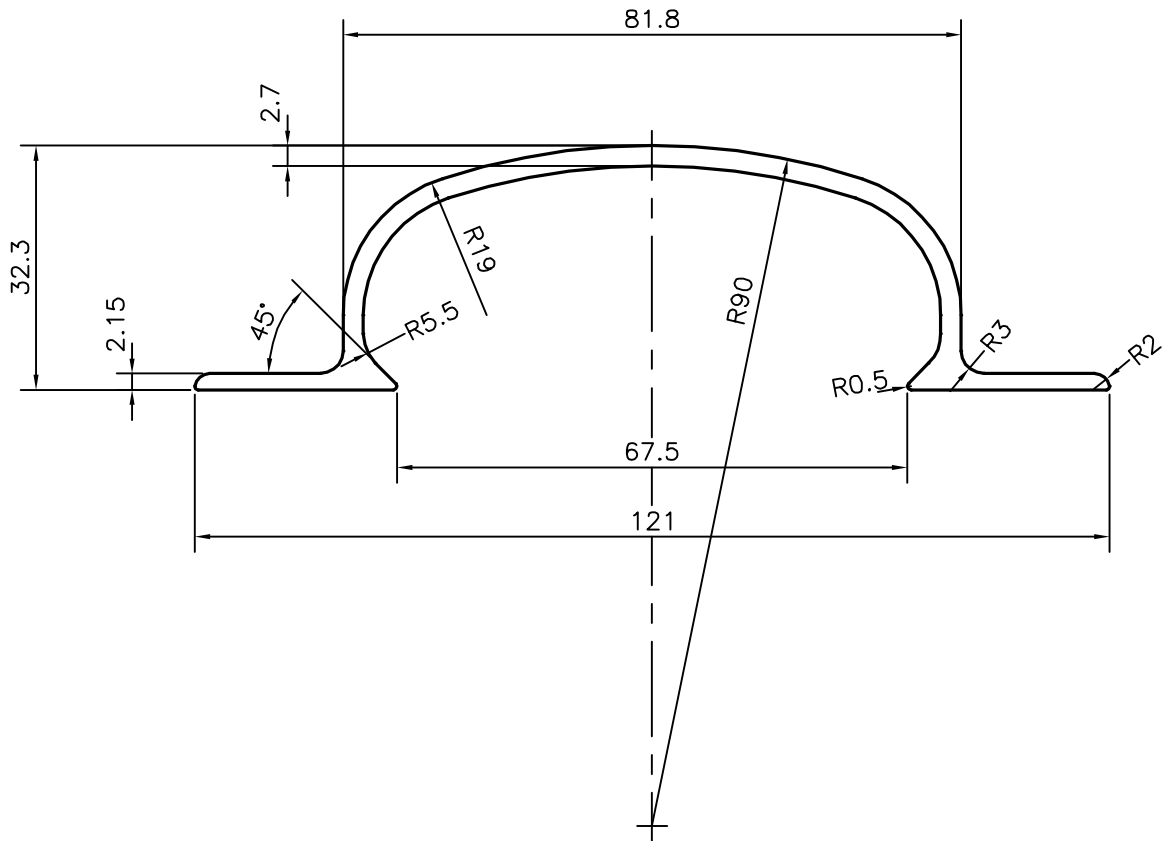


P-18845

X2458



SYMBOL OF QUALITY
AN ISO 9001 COMPANY

JINDAL ALUMINIUM LTD.
BANGALORE-560073 (INDIA)

	NAME	DATE
DRAWN	DARPAN	16-11-2018
CHECKED		
APPROVED	B.NATARAJA	14-12-2018
SCALE		1:1
AREA mm ²		436.766
PERIMETER mm.		330.145
WEIGHT kg/m		1.179
DRAWING No.	SECTION No.	
P-18845	-	
X2458	X2458	

1. ALL DIMENSIONS ARE IN mm.
2. ROUND OFF ALL SHARP CORNERS WITH 0.40 mm.
3. TOLERANCES WILL BE AS PER IS:3965-1981 , UNLESS OTHERWISE SPECIFIED

PARTY'S NAME	IMPERIAL METAL MART, NEW DELHI
PARTY'S DRAWING No.	AS PER SAMPLE
ALLOY & TEMPER	HE9 WP
DESCRIPTION	"C" TYPE HANDLE SECTION