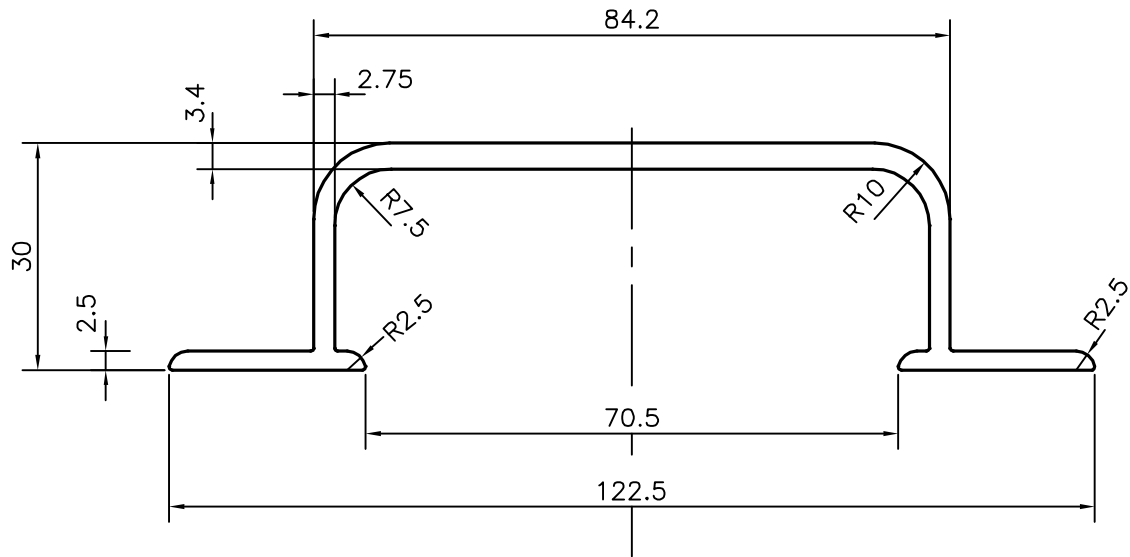


P-18847

X2466



SYMBOL OF QUALITY  
AN ISO 9001 COMPANY

**JINDAL ALUMINIUM LTD.**  
BANGALORE-560073 (INDIA)

	NAME	DATE
DRAWN	DARPAN	14-11-2018
CHECKED		
APPROVED	B.NATARAJA	28-12-2018
SCALE		1:1
AREA mm <sup>2</sup>		525.027
PERIMETER mm.		354.056
WEIGHT kg/m		1.418
DRAWING No.	SECTION No.	
P-18847	-	
X2466	X2466	

1. ALL DIMENSIONS ARE IN mm.
2. ROUND OFF ALL SHARP CORNERS WITH 0.40 mm.
3. TOLERANCES WILL BE AS PER IS:3965-1981 , UNLESS OTHERWISE SPECIFIED

PARTY'S NAME	IMPERIAL METAL MART, NEW DELHI
PARTY'S DRAWING No.	AS PER SAMPLE
ALLOY & TEMPER	HE9 WP A3D
DESCRIPTION	HANDLE SECTION