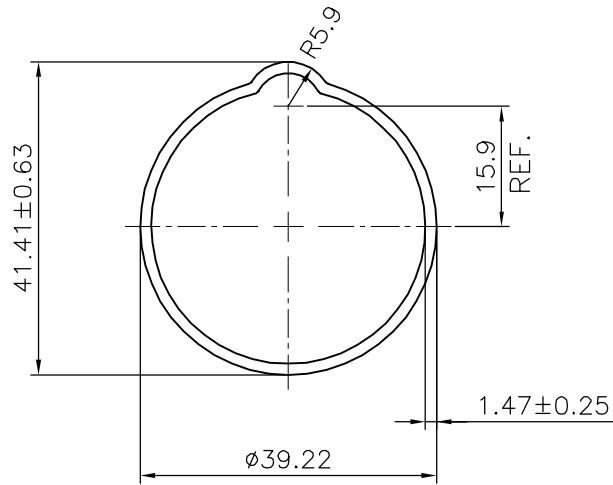


P-17804

X2476



SYMBOL OF QUALITY  
AN ISO 9001 COMPANY

**JINDAL ALUMINIUM LTD.**  
BANGALORE-560073 (INDIA)

	NAME	DATE
DRAWN	J.P.KAUSHIK	20-01-2018
CHECKED		
APPROVED	B.NATARAJA	15-02-2019
SCALE		1:1
AREA mm <sup>2</sup>		177.244
PERIMETER mm.		125.094
WEIGHT kg/m		0.479
DRAWING No.	SECTION No.	
P-17804	-	
X2476	X2476	

1. ALL DIMENSIONS ARE IN mm.
2. ROUND OFF ALL SHARP CORNERS WITH 0.40 mm.
3. TOLERANCES WILL BE AS PER ANSI:H35.2-2009, UNLESS OTHERWISE SPECIFIED

PARTY'S NAME	GEORGA IMPORT & TRADING CO.,USA
PARTY'S DRAWING No.	AS PER DRAWING
ALLOY & TEMPER	6063 T6
DESCRIPTION	MISC. TUBE