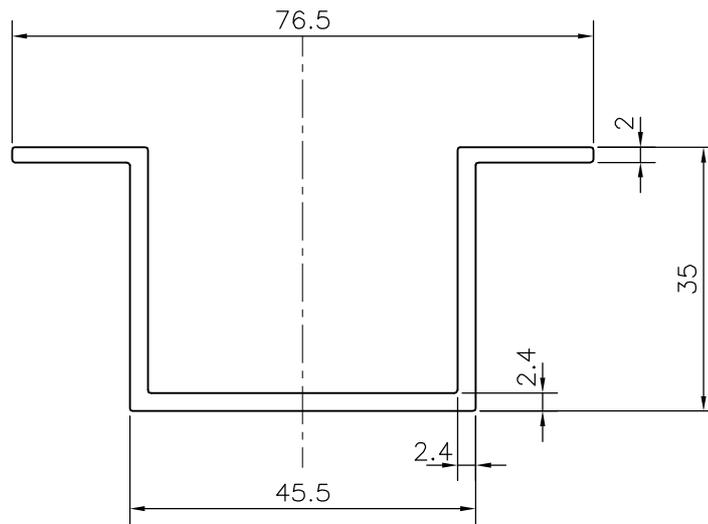


P-19430

X2500



SYMBOL OF QUALITY
AN ISO 9001 COMPANY

JINDAL ALUMINIUM LTD.
BANGALORE-560073 (INDIA)

	NAME	DATE
DRAWN	J.P.KAUSHIK	17-04-2019
CHECKED		
APPROVED	B.NATARAJA	19-04-2019
SCALE		1:1
AREA mm ²		327.543
PERIMETER mm.		286.14
WEIGHT kg/m		0.884
DRAWING No.	SECTION No.	
P-19430	-	
X2500	X2500	

1. ALL DIMENSIONS ARE IN mm.
2. ROUND OFF ALL SHARP CORNERS WITH 0.40 mm.
3. TOLERANCES WILL BE AS PER IS:3965-1981 UNLESS OTHERWISE SPECIFIED

PARTY'S NAME	ARIHANT ALUMINIUM CORPORATION, BANGALORE
PARTY'S DRAWING No.	AS PER SAMPLE
ALLOY & TEMPER	6063 T6
DESCRIPTION	MISC. SECTION