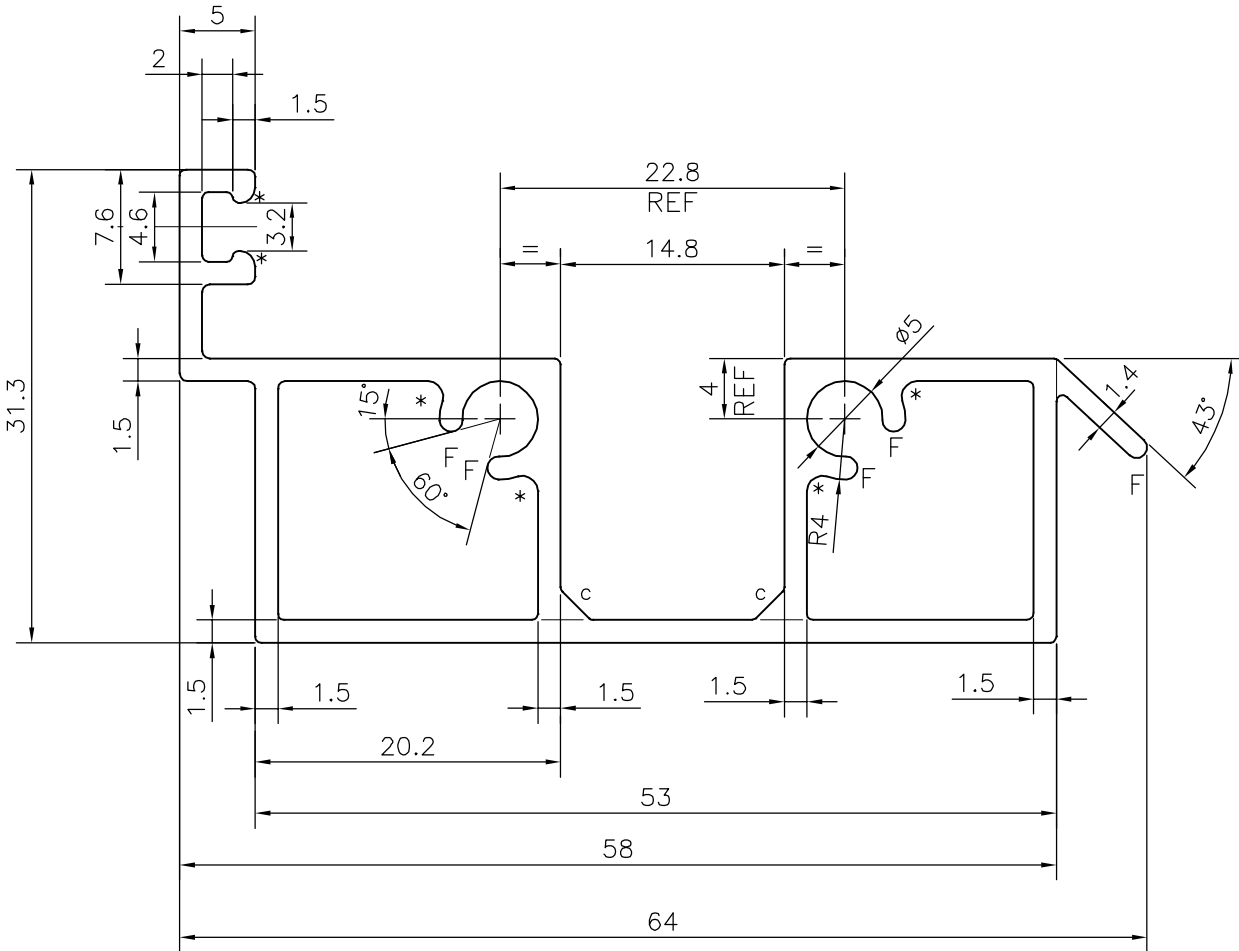
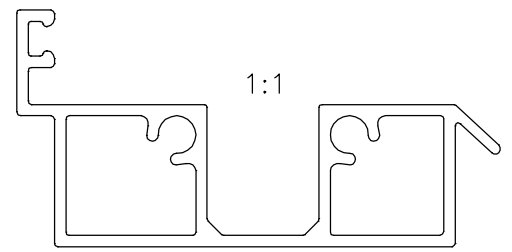


P-19344

X2511



C = CHAMFER 2x45° (2 PLACES)

* = 1.0 RADIUS (6 PLACES)

F = FULL RADIUS (5 PLACES)



SYMBOL OF QUALITY
AN ISO 9001 COMPANY

JINDAL ALUMINIUM LTD.
BANGALORE-560073 (INDIA)

	NAME	DATE
DRAWN	J.P.KAUSHIK	25-03-2019
CHECKED		
APPROVED	B.NATARAJA	20-04-2019
SCALE		2:1
AREA mm ²		311.808
PERIMETER mm.		237.418
WEIGHT kg/m		0.842
DRAWING No.	SECTION No.	
P-19344	-	
X2511	X2511	

1. ALL DIMENSIONS ARE IN mm.
2. ROUND OFF ALL SHARP CORNERS WITH 0.40 mm.
3. TOLERANCES WILL BE AS PER IS:6477-1983 , UNLESS OTHERWISE SPECIFIED

PARTY'S NAME	LAXMI TRADING COMPANY, AHMEDABAD
PARTY'S DRAWING No.	AHM1022
ALLOY & TEMPER	6063 T6
DESCRIPTION	WINDOW SECTION