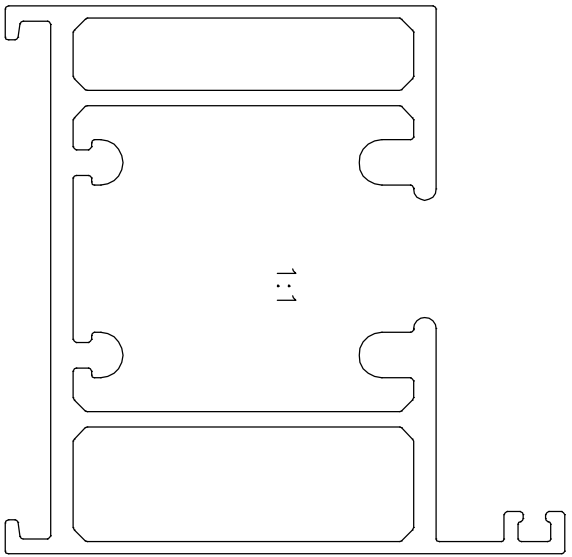
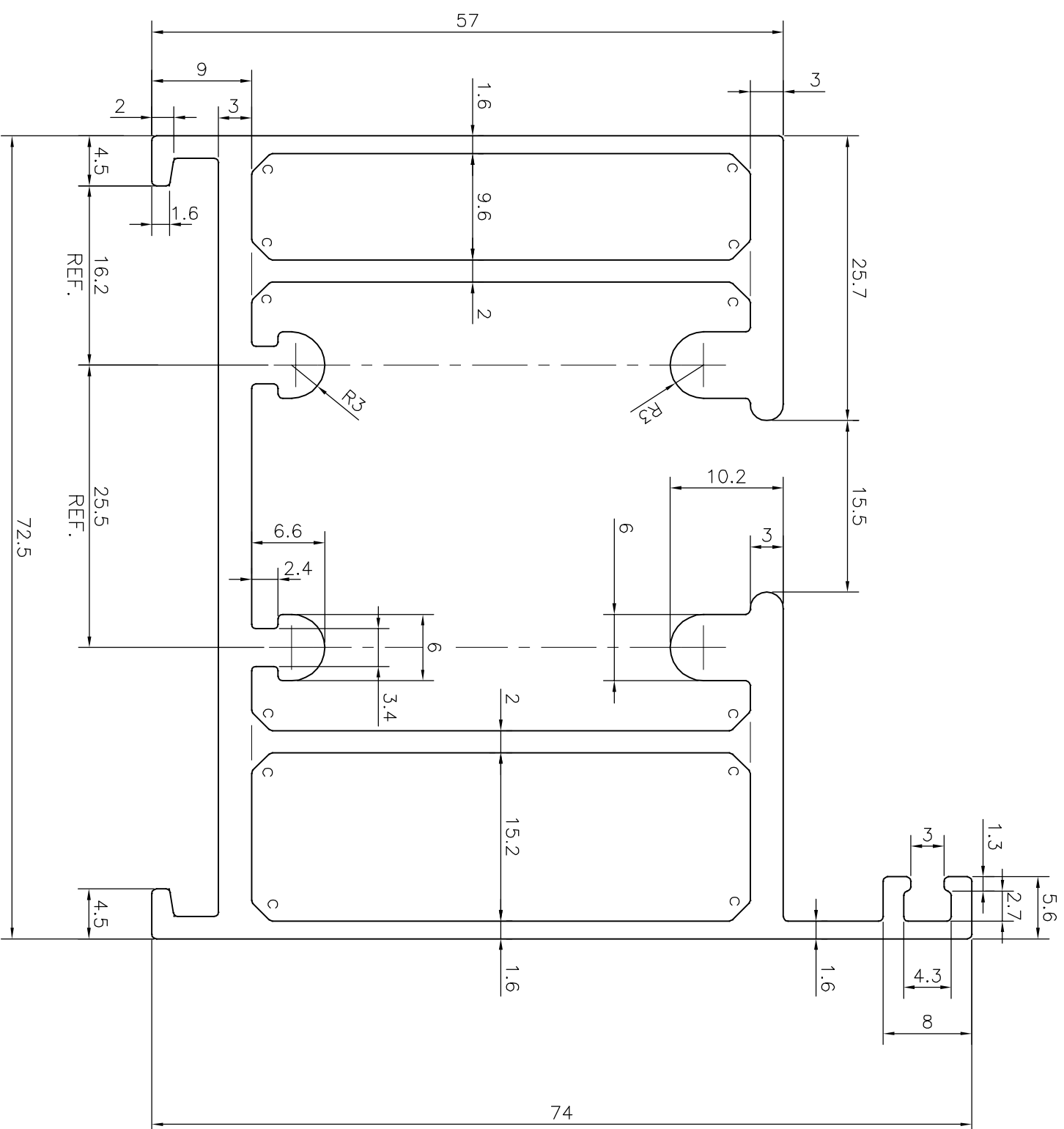



P-19346

X2513



C = CHAMFER 1.7x45° (12 PLACES)

 <p>SYMBOL OF QUALITY AN ISO 9001 COMPANY</p>		<p>JINDAL ALUMINIUM LTD. BANGALORE-560073 (INDIA)</p>	
<p>1. ALL DIMENSIONS ARE IN mm. 2. ROUND OFF ALL SHARP CORNERS WITH 0.40 mm. 3. TOLERANCES WILL BE AS PER IS:6477-1983 UNLESS OTHERWISE SPECIFIED</p>			
PARTY'S NAME		LAXMI TRADING COMPANY, AHMEDABAD	
PARTY'S DRAWING No.		AHM1023	
ALLOY & TEMPER		6063 T6	
DESCRIPTION		WINDOW SECTION	
DRAWN	NAME	DATE	
CHECKED	J.P.KAUSHIK	25-03-2019	
APPROVED	B.NATARAJA	20-04-2019	
SCALE		2:1	
AREA mm ²		942.496	
PERIMETER mm.		520.843	
WEIGHT kg/m		2.545	
DRAWING No.		SECTION No.	
P-19346		-	
X2513		X2513	