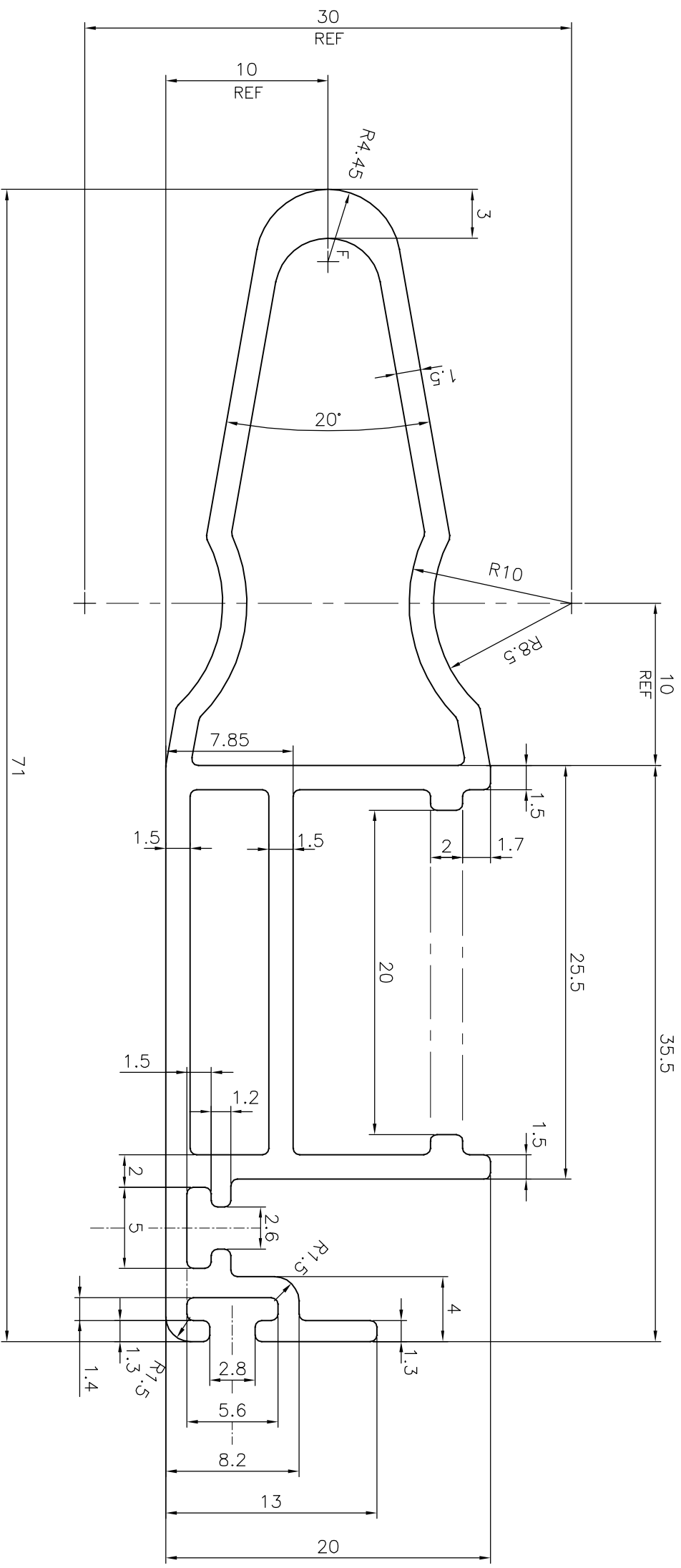
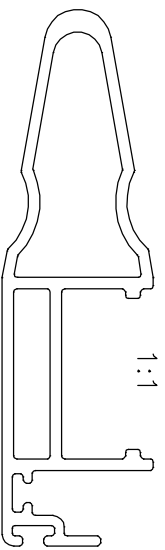


P-19348


X2514



F = FULL RADIUS (1 PLACE)



1:1

 <b>JINDAL ALUMINIUM LTD.</b> BANGALORE-560073 (INDIA)		SYMBOL OF QUALITY AN ISO 9001 COMPANY
1. ALL DIMENSIONS ARE IN mm. 2. ROUND OFF ALL SHARP CORNERS WITH 0.40 mm. 3. TOLERANCES WILL BE AS PER IS:6477-1983 UNLESS OTHERWISE SPECIFIED		
PARTY'S NAME	LAXMI TRADING COMPANY, AHMEDABAD	
PARTY'S DRAWING No.	AHM1176	
ALLOY & TEMPER	6063 T6	
DESCRIPTION	WINDOW SECTION	
SCALE	3:1	
AREA mm <sup>2</sup>	295.512	
PERIMETER mm.	231.05	
WEIGHT kg/m	0.798	
DRAWING No.	P-19348	SECTION No.
	X2514	X2514
DRAWN	J.P.KAUSHIK	DATE
CHECKED		25-03-2019
APPROVED	B.NATARAJA	20-04-2019