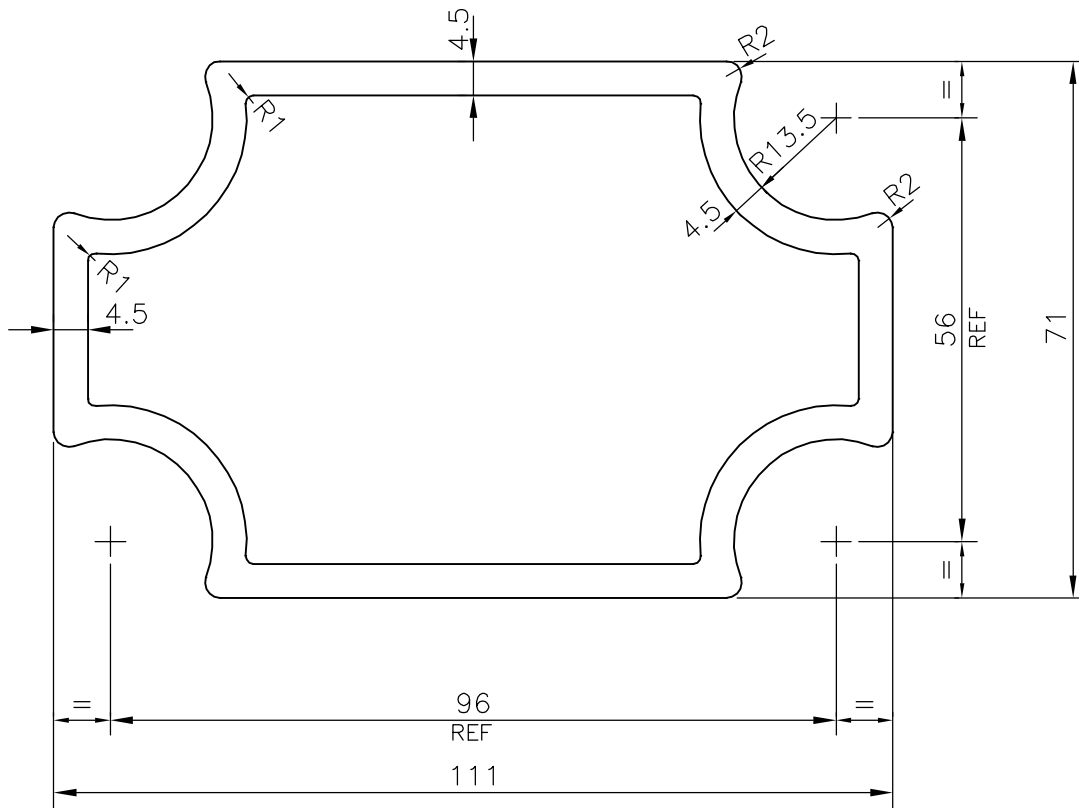
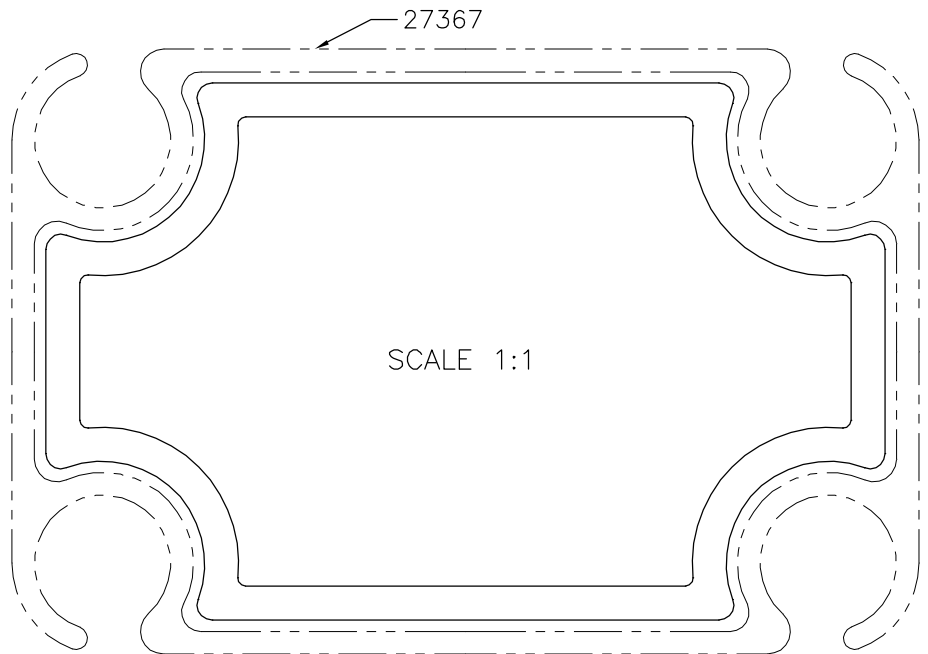


P-19766

X2540



SYMBOL OF QUALITY
AN ISO 9001 COMPANY

JINDAL ALUMINIUM LTD.
BANGALORE-560073 (INDIA)

	NAME	DATE
DRAWN	J.P.KAUSHIK	03-07-2019
CHECKED		
APPROVED	B.NATARAJA	04-07-2019
SCALE		1:1
AREA mm ²		1461.427
PERIMETER mm.		343.005
WEIGHT kg/m		3.946
DRAWING No.	SECTION No.	
P-19766		
X2540	X2540	

1. ALL DIMENSIONS ARE IN mm.
2. ROUND OFF ALL SHARP CORNERS WITH 0.40 mm.
3. TOLERANCES WILL BE AS PER IS:6477-1983 UNLESS OTHERWISE SPECIFIED

PARTY'S NAME	ALUMINIUM TRADING COMPANY, DELHI
PARTY'S DRAWING No.	AS PER REQUIREMENT
ALLOY & TEMPER	6005 T6
DESCRIPTION	TENT HOUSE SECTION