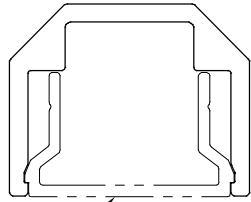
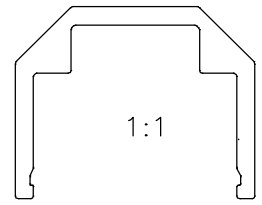


P-19727

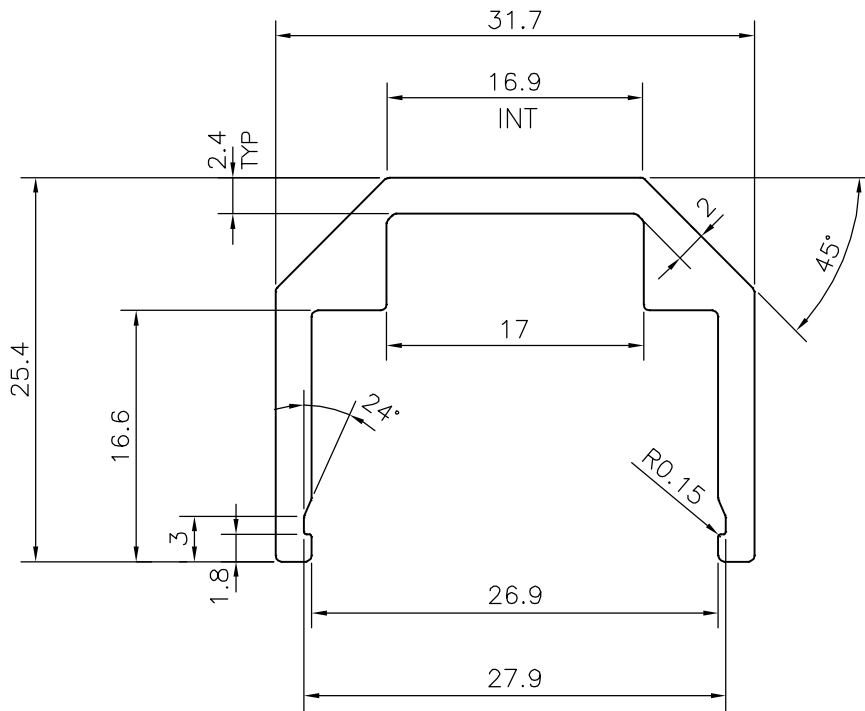
X2543



X1478



1:1



SYMBOL OF QUALITY
AN ISO 9001 COMPANY

JINDAL ALUMINIUM LTD.
BANGALORE-560073 (INDIA)

	NAME	DATE
DRAWN	J.P.KAUSHIK	27-06-2019
CHECKED		
APPROVED	J.N. RAI	13-07-2019
SCALE		2:1
AREA mm ²		193.41
PERIMETER mm.		150.404
WEIGHT kg/m		0.522
DRAWING No.	SECTION No.	
P-19727	-	
X2543	X2543	

1. ALL DIMENSIONS ARE IN mm.
2. ROUND OFF ALL SHARP CORNERS WITH 0.40 mm.
3. TOLERANCES WILL BE AS PER,BS:EN-755-9 UNLESS OTHERWISE SPECIFIED

PARTY'S NAME	PERMACORP GROUP OF COMPANIES., CANADA
PARTY'S DRAWING No.	AS PER DRAWING
ALLOY & TEMPER	6063 T5
DESCRIPTION	MISC. CHANNEL