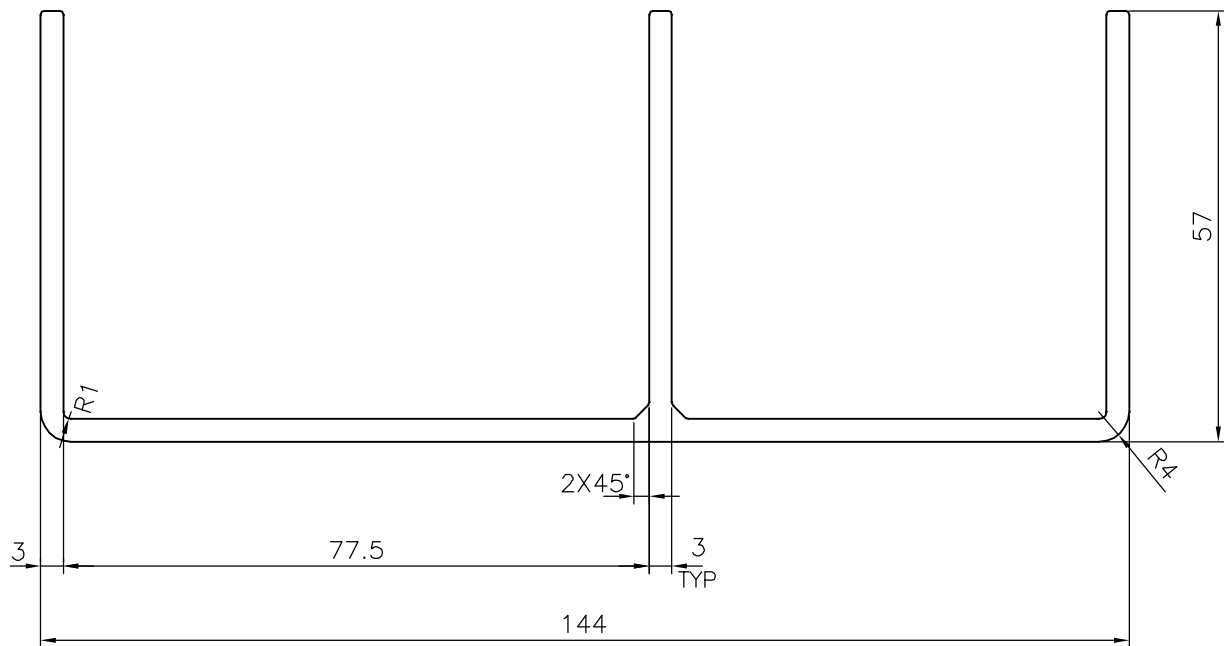


P-17543

S5566

X2544



UNSPECIFIED RADIUS 0.5 mm

TOLERANCES ON OVERALL WIDTHS & WIDTHS ACROSS FLATS OF BARS, & REGULAR SECTIONS

UPTO 6.40mm - ±0.20	UPTO 32.0mm - ±0.38	UPTO 120.0mm - ±0.85	UPTO 320.00mm - ±1.70
UPTO 10.0mm - ±0.23	UPTO 50.0mm - ±0.46	UPTO 160.0mm - ±1.02	
UPTO 12.0mm - ±0.25	UPTO 60.0mm - ±0.53	UPTO 200.0mm - ±1.14	
UPTO 16.0mm - ±0.28	UPTO 80.0mm - ±0.69	UPTO 250.0mm - ±1.40	
UPTO 25.0mm - ±0.30	UPTO 100.0mm - ±0.75	UPTO 300.0mm - ±1.65	



SYMBOL OF QUALITY
AN ISO 9001 COMPANY

JINDAL ALUMINIUM LTD.
BANGALORE-560073 (INDIA)

	NAME	DATE
DRAWN	J.P.KAUSHIK	11-10-2017
CHECKED		
APPROVED	B.NATARAJA	08-11-2017

1. ALL DIMENSIONS ARE IN mm.
2. ROUND OFF ALL SHARP CORNERS WITH 0.40 mm.
3. TOLERANCES WILL BE AS PER IS:3965-1981 , UNLESS OTHERWISE SPECIFIED

SCALE	1:1
AREA mm ²	915.262
PERIMETER mm.	609.991
WEIGHT kg/m	2.471
DRAWING No.	SECTION No.
P-17543	-
S5566	S5566
X2544	X2544

PARTY'S NAME PRESSTON ENGINEERING CORPORATION,
BANGALORE

PARTY'S DRAWING No. RMD60001CEO_REV_B

ALLOY & TEMPER 6063 T6

DESCRIPTION DUCT PROFILE