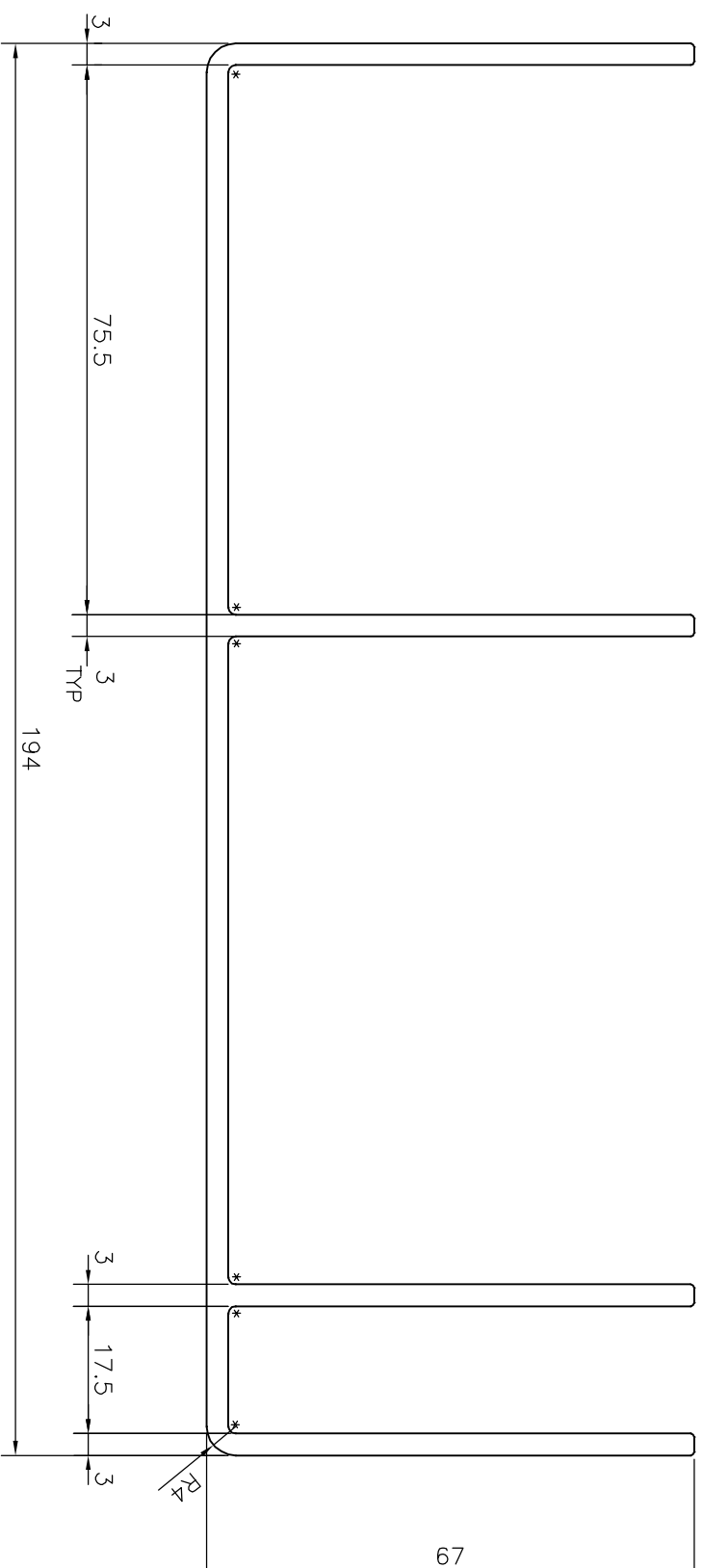


P-17551
S5574
X2551




UNSPECIFIED RADIUS 0.5 mm

* = 1.0 RADIUS (6 PLACES)

TOLERANCES ON OVERALL WIDTHS & WIDTHS ACROSS FLATS OF BARS, & REGULAR SECTIONS

UPTO 6.40mm - ±0.20	UPTO 32.0mm - ±0.38	UPTO 120.0mm - ±0.85	UPTO 320.00mm - ±1.70
UPTO 10.0mm - ±0.23	UPTO 50.0mm - ±0.46	UPTO 160.0mm - ±1.02	
UPTO 12.0mm - ±0.25	UPTO 60.0mm - ±0.53	UPTO 200.0mm - ±1.14	
UPTO 16.0mm - ±0.28	UPTO 80.0mm - ±0.69	UPTO 250.0mm - ±1.40	
UPTO 25.0mm - ±0.30	UPTO 100.0mm - ±0.75	UPTO 300.0mm - ±1.65	

 SYMBOL OF QUALITY AN ISO 9001 COMPANY	JINDAL ALUMINIUM LTD. BANGALORE-560073 (INDIA)		DRAWN U.P.KAUSHIK 11-10-2017
	1. ALL DIMENSIONS ARE IN mm. 2. ROUND OFF ALL SHARP CORNERS WITH 0.40 mm. 3. TOLERANCES WILL BE AS PER IS:3965-1981 UNLESS OTHERWISE SPECIFIED		CHECKED APPROVED B. NATARAJA 08-11-2017
PARTY'S NAME PRESTON ENGINEERING CORPORATION, BANGALORE	PARTY'S DRAWING No. RMD60005CEO_REV_B	SCALE 1:1	NAME DATE
ALLOY & TEMPER 6063 T6	DESCRIPTION DUCT PROFILE	AREA mm ² 1343.991	PERIMETER mm. 898.274
		WEIGHT kg/m 3.629	DRAWING No. P-17551
			SECTION No. -
			S5574
			X2551