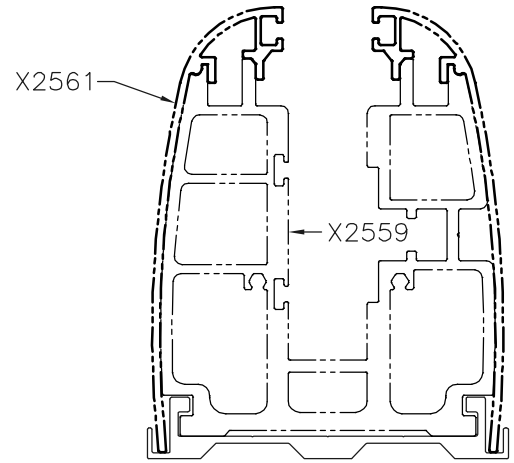
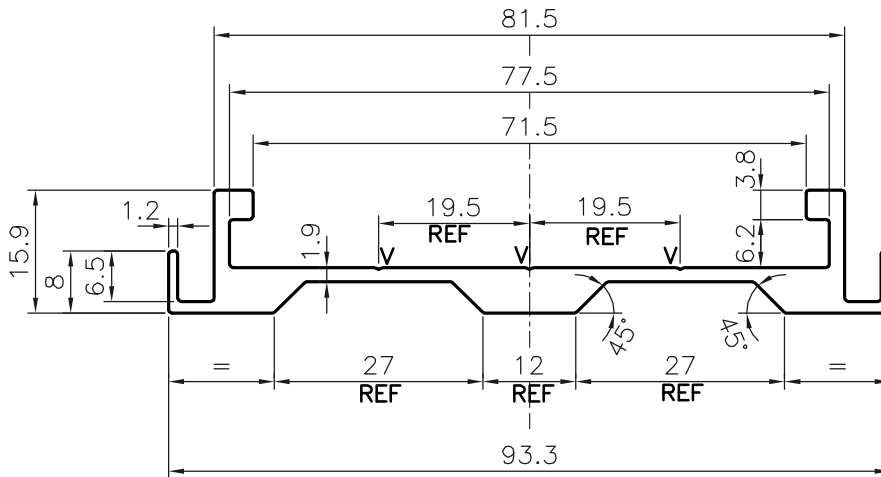


P-19835

X2560



SCALE:-1:2



V = V GROOVE 0.3x90° (3 PLACES)



SYMBOL OF QUALITY
AN ISO 9001 COMPANY

JINDAL ALUMINIUM LTD.
BANGALORE-560073 (INDIA)

1. ALL DIMENSIONS ARE IN mm.
2. ROUND OFF ALL SHARP CORNERS WITH 0.40 mm.
3. TOLERANCES WILL BE AS PER IS:3965-1981 , UNLESS OTHERWISE SPECIFIED

	NAME	DATE
DRAWN	J.P.KAUSHIK	11-07-2019
CHECKED		
APPROVED	J.N.RAI	20-07-2019
SCALE	1:1	
AREA mm ²	392.355	
PERIMETER mm.	279.892	
WEIGHT kg/m	1.059	
DRAWING No.	SECTION No.	
P-19835	-	
X2560	X2560	

PARTY'S NAME LAXMI TRADING COMPANY, AHMEDABAD

PARTY'S DRAWING No. AHM1069

ALLOY & TEMPER HE9 WP

DESCRIPTION MISC. SECTION