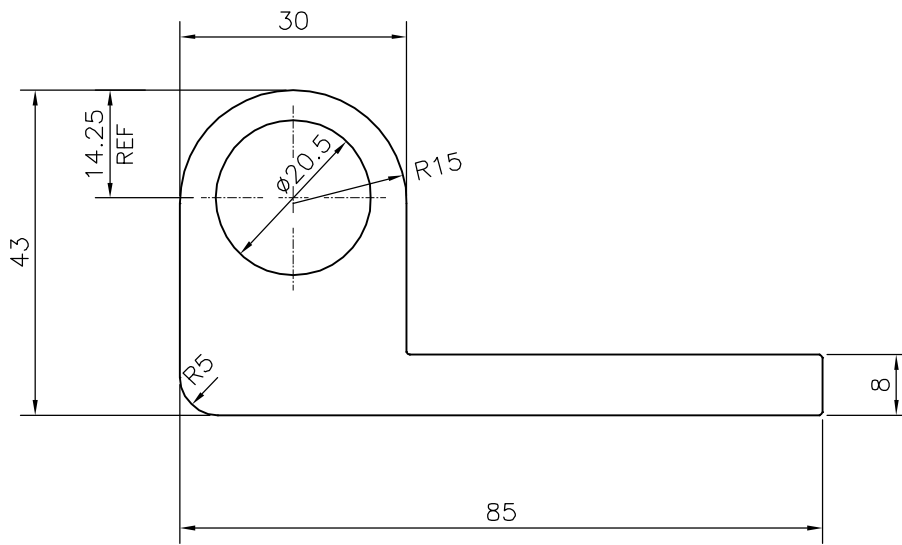


P-19862

X2565



SYMBOL OF QUALITY  
AN ISO 9001 COMPANY

**JINDAL ALUMINIUM LTD.**  
BANGALORE-560073 (INDIA)

	NAME	DATE
DRAWN	J.P.KAUSHIK	17-07-2019
CHECKED		
APPROVED	<b>B.NATARAJA</b>	30-07-2019
SCALE		1:1
AREA mm <sup>2</sup>		1297.966
PERIMETER mm.		240.463
WEIGHT kg/m		3.505
DRAWING No.	SECTION No.	
P-19862	-	
X2565	X2565	

1. ALL DIMENSIONS ARE IN mm.
2. ROUND OFF ALL SHARP CORNERS WITH 0.40 mm.
3. TOLERANCES WILL BE AS PER BS:EN-755-9 , UNLESS OTHERWISE SPECIFIED

PARTY'S NAME	HERMANN MOHN GMBH & CO. KG, GERMANY
PARTY'S DRAWING No.	HA1535-1-2 REV. A
ALLOY & TEMPER	6063 T6 & 6061 T6
DESCRIPTION	MISC. SECTION