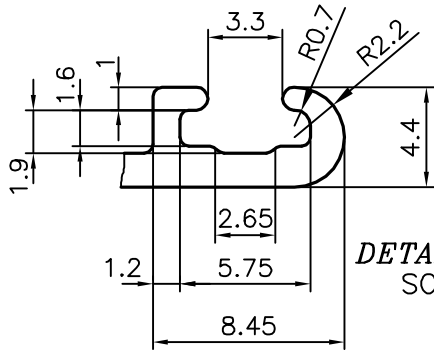
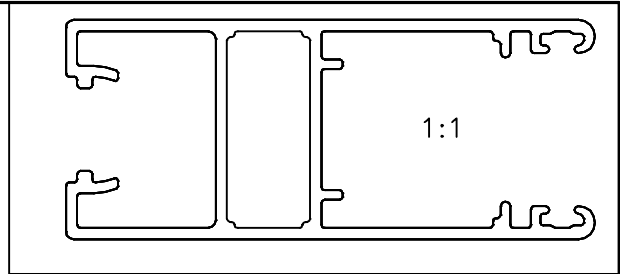
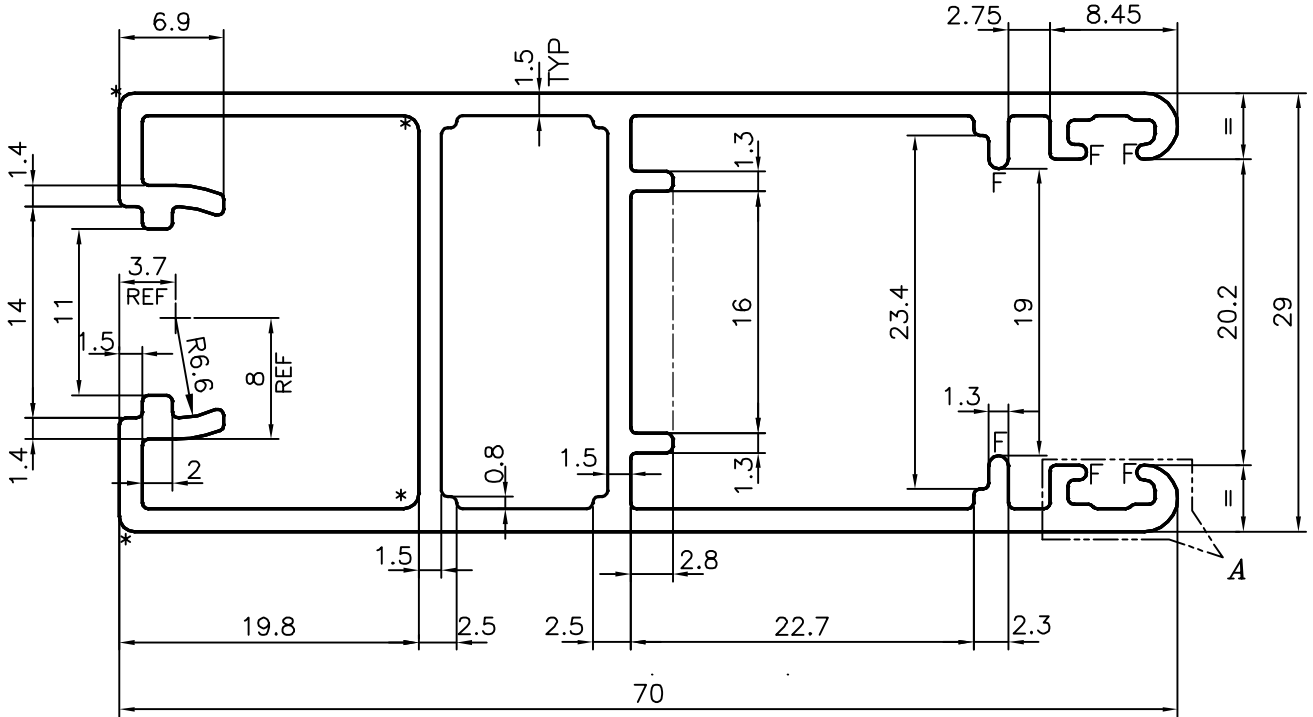


P-20605

X2622



DETAIL OF "A"
SCALE 3:1



* = 1.0 RADIUS (8 PLACES)
F = FULL RADIUS (4 PLACES)

TOLERANCES ON OVERALL DIMENSIONS OF HOLLOW SECTIONS

| | | | |
|---------------------|----------------------|----------------------|---|
| UPTO 20.0mm - ±0.30 | UPTO 80.0mm - ±0.70 | UPTO 180.0mm - ±1.27 | 1. STRAIGHTNESS=1.7mm/M 2. TWIST=1.7mm/M 3. ANGULARITY= ±2° 4. FLATNESS =0.006xWIDTH |
| UPTO 30.0mm - ±0.38 | UPTO 100.0mm - ±0.80 | UPTO 200.0mm - ±1.40 | |
| UPTO 40.0mm - ±0.45 | UPTO 120.0mm - ±0.90 | UPTO 225.0mm - ±1.52 | |
| UPTO 50.0mm - ±0.52 | UPTO 140.0mm - ±1.00 | | |
| UPTO 60.0mm - ±0.60 | UPTO 160.0mm - ±1.14 | | |



SYMBOL OF QUALITY
AN ISO 9001 COMPANY

JINDAL ALUMINIUM LTD.
BANGALORE-560073 (INDIA)

| | | NAME | DATE |
|----------------------|-------------|-------------|------------|
| DRAWN | J.P.KAUSHIK | | 09-01-2020 |
| CHECKED | | | |
| APPROVED | B.NATARAJA | | 24-01-2020 |
| SCALE | | 2:1 | |
| AREA mm ² | | 367.818 | |
| PERIMETER mm. | | 402.533 | |
| WEIGHT kg/m | | 0.993 | |
| DRAWING No. | | SECTION No. | |
| P-20605 | | - | |
| X2622 | | X2622 | |

- ALL DIMENSIONS ARE IN mm.
- ROUND OFF ALL SHARP CORNERS WITH 0.40 mm.
- TOLERANCES WILL BE AS PER IS:6477-1983 , UNLESS OTHERWISE SPECIFIED

| | |
|---------------------|---------------------------|
| PARTY'S NAME | HARI ALUMINIUM, AHMEDABAD |
| PARTY'S DRAWING No. | AS PER DRAWING |
| ALLOY & TEMPER | 6063 T6 |
| DESCRIPTION | WINDOW SECTION |