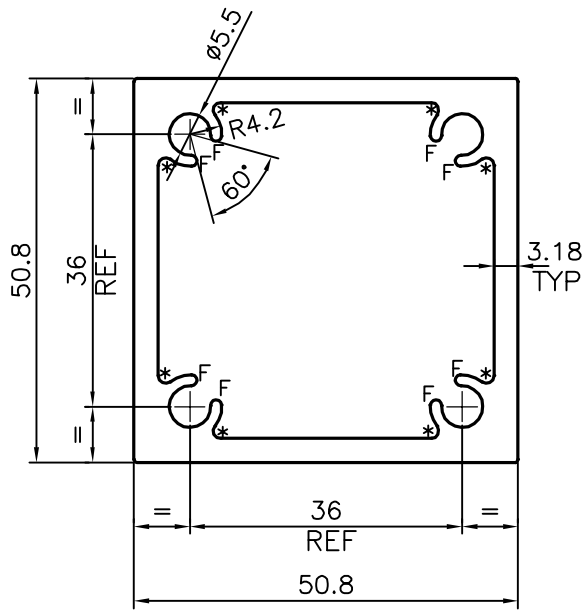


P-20842

X2644



* = RADIUS 1 mm. (8 PLACES)

F = FULL RADIUS (8 PLACES)



SYMBOL OF QUALITY
AN ISO 9001 COMPANY

JINDAL ALUMINIUM LTD.
BANGALORE-560073 (INDIA)

	NAME	DATE
DRAWN	J.P.KAUSHIK	28-02-2020
CHECKED		
APPROVED	B.NATARAJA	19-03-2020
SCALE		1:1
AREA mm ²		737.652
PERIMETER mm.		202.513
WEIGHT kg/m		1.992
DRAWING No.	SECTION No.	
P-20842		
X2644	X2644	

1. ALL DIMENSIONS ARE IN mm.
2. ROUND OFF ALL SHARP CORNERS WITH 0.40 mm.
3. TOLERANCES WILL BE AS PER ANSI:H35.2-2009 UNLESS OTHERWISE SPECIFIED

PARTY'S NAME	PERMACORP GROUP OF COMPANIES., CANADA
PARTY'S DRAWING No.	AS PER DRAWING
ALLOY & TEMPER	6063 T6
DESCRIPTION	SQUARE TUBE-MISC.