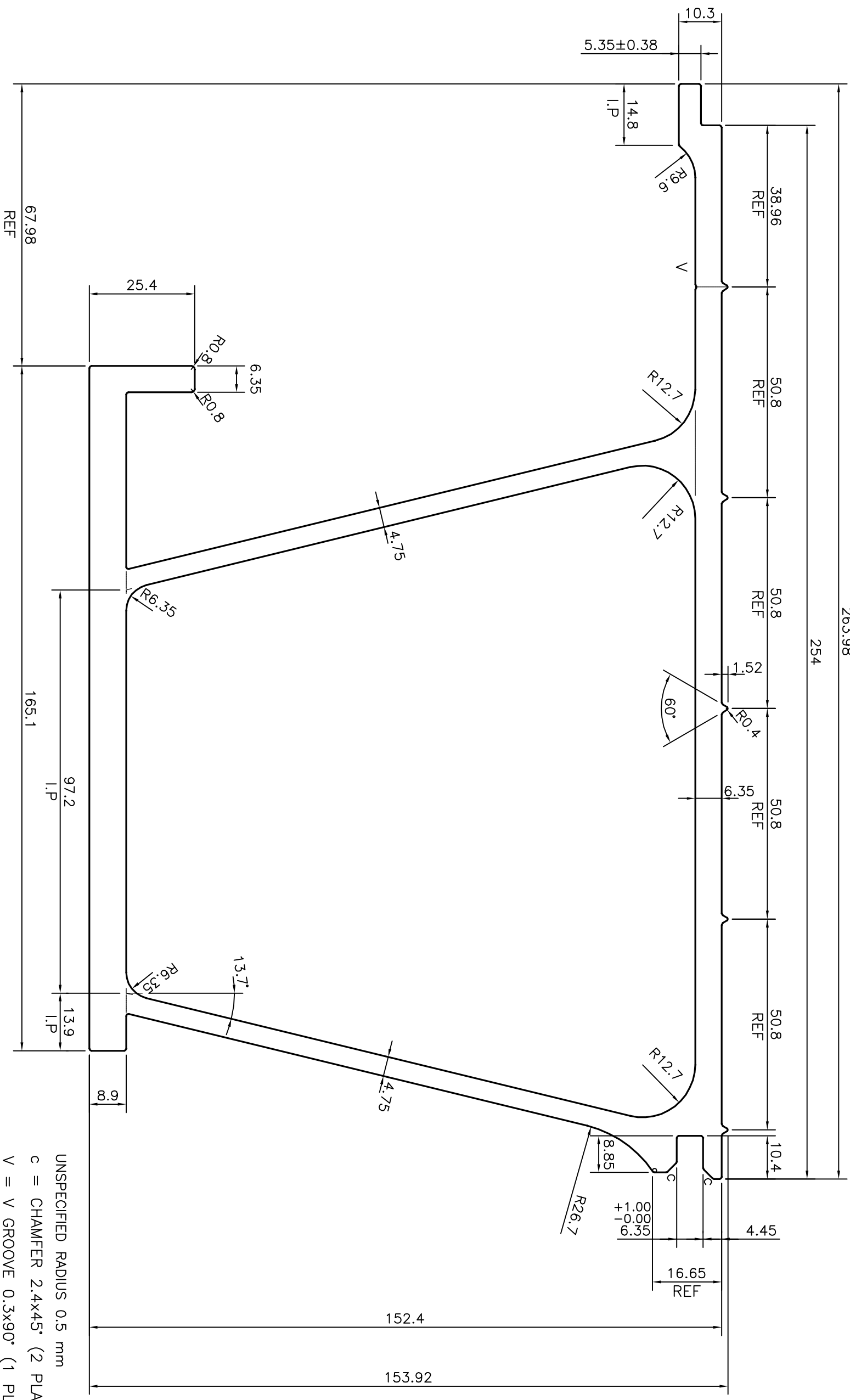


P-21196

X2686

263.98


254



UNSPECIFIED RADIUS 0.5 mm
 c = CHAMFER 2.4x45° (2 PLACES)
 V = V GROOVE 0.3x90° (1 PLACE)

EXPOSED SURFACE

SCALE:-1:4

 <p>SYMBOL OF QUALITY AN ISO 9001 COMPANY</p>		<p>JINDAL ALUMINIUM LTD. BANGALORE-560073 (INDIA)</p>	
<p>1. ALL DIMENSIONS ARE IN mm. 2. ROUND OFF ALL SHARP CORNERS WITH 0.40 mm. 3. TOLERANCES WILL BE AS PER BS:EN-755-9 UNLESS OTHERWISE SPECIFIED</p>			
PARTY'S NAME	RELIABLE FABRICATORS LLC, UAE	DRAWN	J.P.KAUSHIK
PARTY'S DRAWING No.	1106-40-PP-DG-2100	CHECKED	
ALLOY & TEMPER	6005 T6	APPROVED	B.NATARAJA
DESCRIPTION	PLANK SECTION	SCALE	1:1
		AREA mm ²	4798.911
		PERIMETER mm.	942.642
		WEIGHT kg/m	12.957
		DRAWING No.	P-21196
		SECTION No.	-
			X2686
			X2686