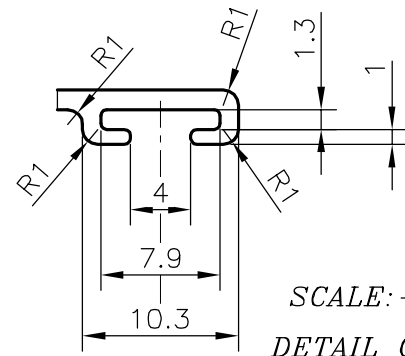
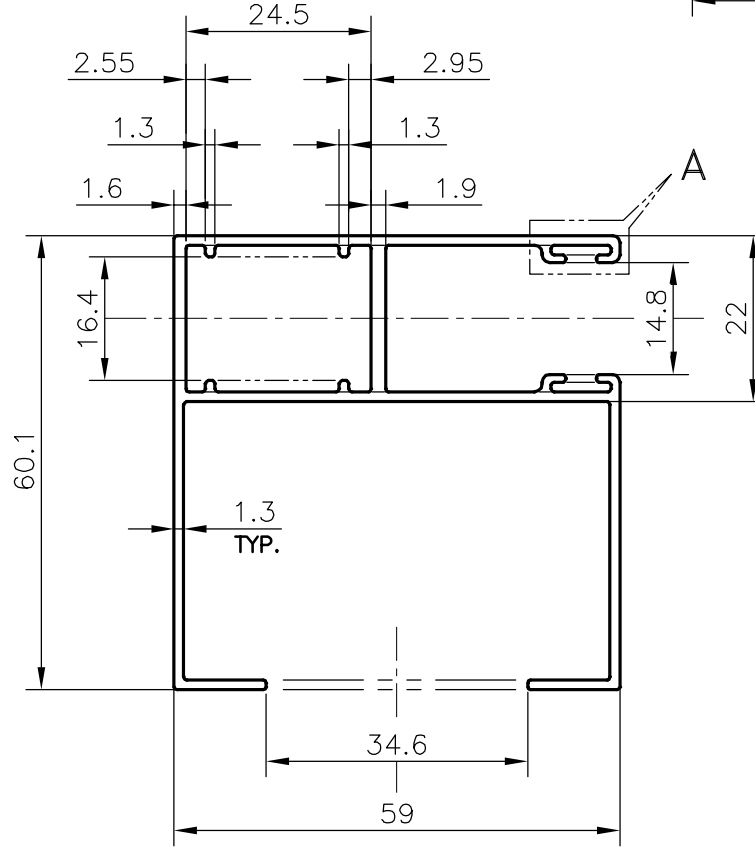


P-21408-1

X2703



SCALE:- 2:1
DETAIL OF "A"



SCALE:- 1:1

TOLERANCE CHART CD = CIRCUMSCRIBING CIRCLE

CD ≤ 100	100 < CD ≤ 200	200 < CD < 300	300 < CD < 500
UPTO 10mm - ±0.25	±0.30	±0.35	±0.40
10.0 - 25.0 - ±0.30	±0.40	±0.50	±0.60
25.0 - 50.0 - ±0.50	±0.60	±0.80	±0.90
50.0 - 100.0 - ±0.70	±0.90	±1.10	±1.30
100 - 150 - -	±1.10	±1.30	±1.50
150 - 200 - -	±1.3	±1.50	±1.80
200 - 300 - -	-	±1.70	±2.10
300 - 450 - -	-	-	±2.80



SYMBOL OF QUALITY
AN ISO 9001 COMPANY

JINDAL ALUMINIUM LTD.
BANGALORE-560073 (INDIA)

	NAME	DATE
DRAWN	DARPAN	03-09-2020
CHECKED		
APPROVED	B.NATARAJA	07/09/2020

- ALL DIMENSIONS ARE IN mm.
- ROUND OFF ALL SHARP CORNERS WITH 0.40 mm.
- TOLERANCES WILL BE AS PER **BS:EN-755-9**, UNLESS OTHERWISE SPECIFIED

SCALE	1:1
AREA mm ²	374.799
PERIMETER mm.	446.017
WEIGHT kg/m	1.012

PARTY'S NAME	PERMACORP GROUP OF COMPANIES INC. CANADA
PARTY'S DRAWING No.	AS PER DRAWING
ALLOY & TEMPER	6063 T5
DESCRIPTION	ARCHITECTURE SECTION

DRAWING No.	SECTION No.
P-21408-1	-
X2703	X2703