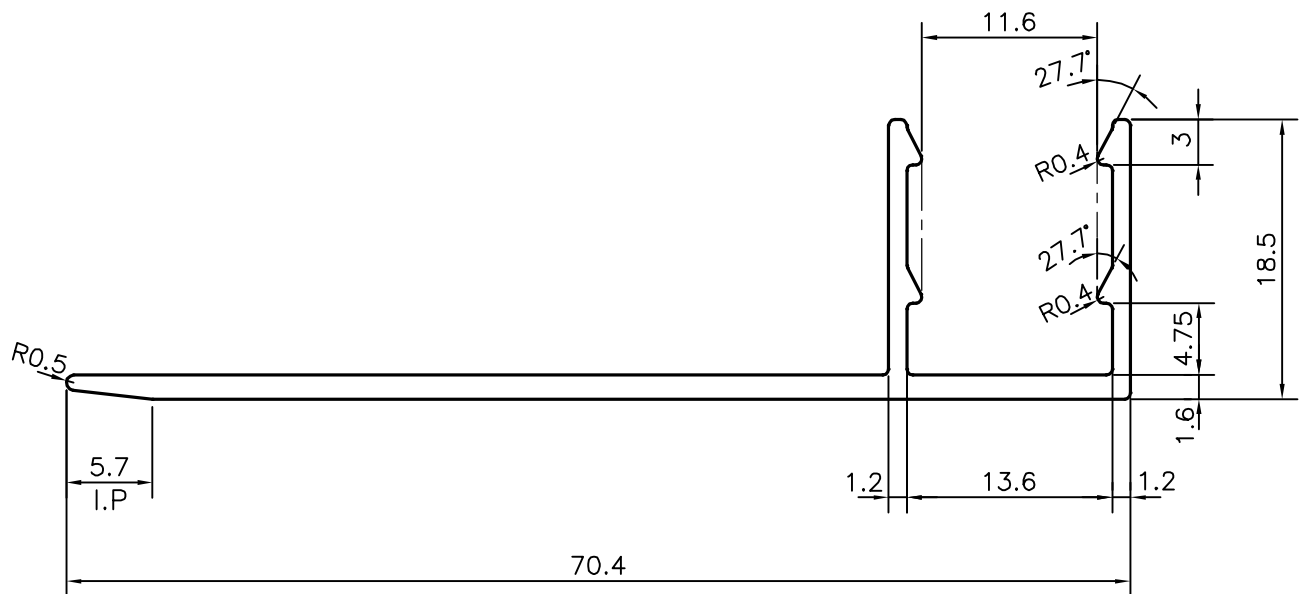
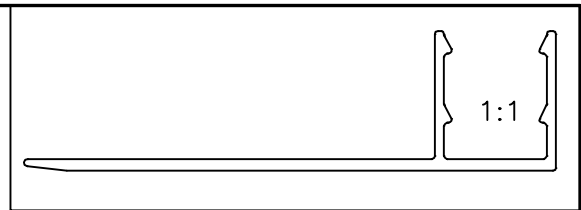
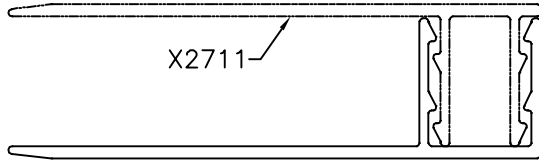



P-21314
X2710



1. TWIST=1.7mm/M
2. ANGULARITY TOLERANCE= $\pm 2^\circ$
3. GENERAL TOLERANCE= ± 0.50

 SYMBOL OF QUALITY AN ISO 9001 COMPANY	JINDAL ALUMINIUM LTD. BANGALORE-560073 (INDIA)		NAME	DATE
		DRAWN	J.P.KAUSHIK	13-08-2020
1. ALL DIMENSIONS ARE IN mm. 2. ROUND OFF ALL SHARP CORNERS WITH 0.40 mm. 3. TOLERANCES WILL BE AS PER AS/NZS:1866-1997 UNLESS OTHERWISE SPECIFIED		CHECKED		
		APPROVED	B.NATARAJA	30-09-2020
PARTY'S NAME LINK POWDER COATING GROUP PTY. LTD., AUSTRALIA		SCALE		2:1
		AREA mm ²		156.977
PARTY'S DRAWING No. LDD CLAD DECK STARTER F BASE		PERIMETER mm.		212.814
		WEIGHT kg/m		0.424
ALLOY & TEMPER 6060 T6		DRAWING No.		P-21314
		SECTION No.		-
DESCRIPTION CLADDING SECTION		X2710		X2710