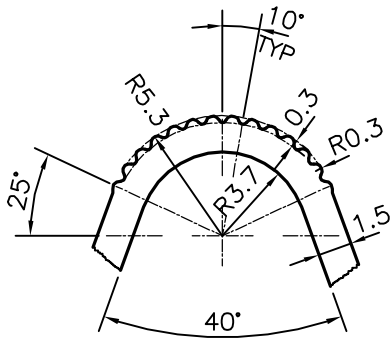
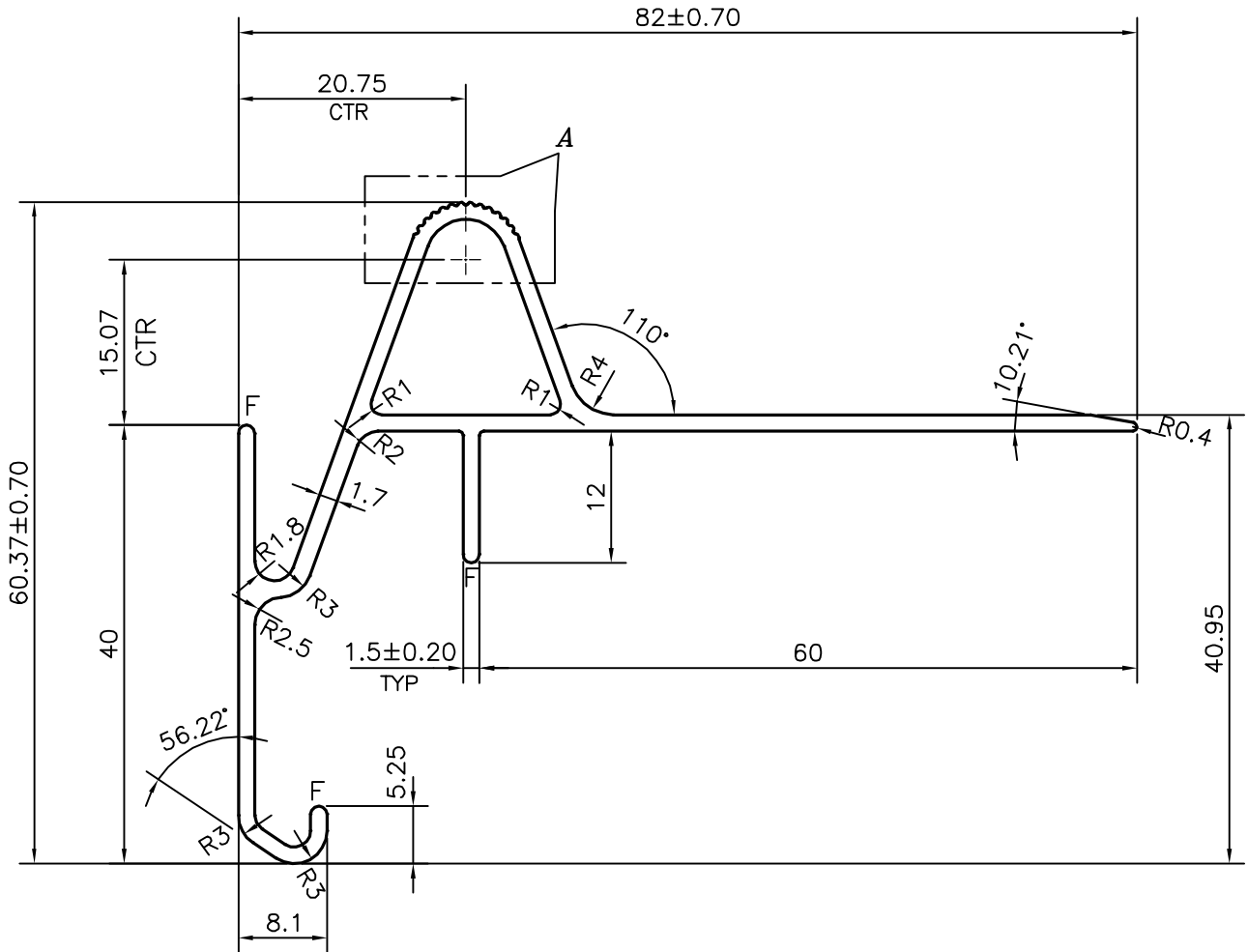
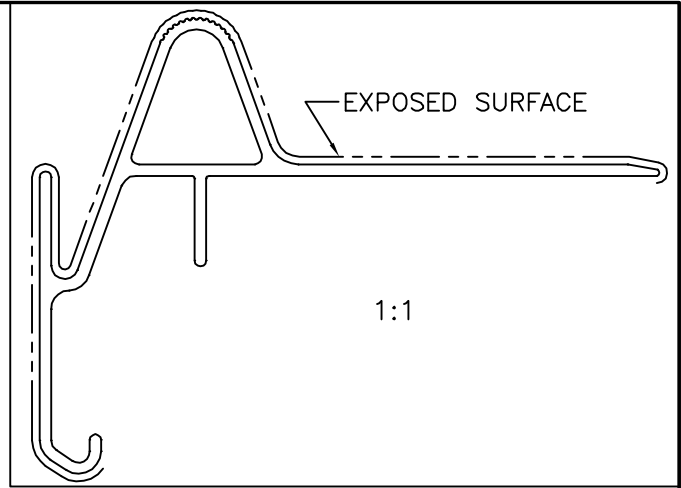


P-21622-1

X2713



DETAIL OF "A"
SCALE 3:1



AVERAGE WEIGHT:-0.722 kg/m TO 0.882 kg/m

F = FULL RADIUS (3 PLACES)



SYMBOL OF QUALITY
AN ISO 9001 COMPANY

JINDAL ALUMINIUM LTD.
BANGALORE-560073 (INDIA)

	NAME	DATE
DRAWN	J.P.KAUSHIK	13-10-2020
CHECKED		
APPROVED	B.NATARAJA	23-10-2020

1. ALL DIMENSIONS ARE IN mm.
2. ROUND OFF ALL SHARP CORNERS WITH 0.40 mm.
3. TOLERANCES WILL BE AS PER,BS:EN-12020-2 UNLESS OTHERWISE SPECIFIED

SCALE	1.5:1
AREA mm ²	296.887
PERIMETER mm.	325.45
WEIGHT kg/m	0.802

PARTY'S NAME	THYSSENKRUPP MATERIALS, BELGIUM SA
PARTY'S DRAWING No.	BS-CH026
ALLOY & TEMPER	6060 T66
DESCRIPTION	MISC. SECTION

DRAWING No.	SECTION No.
P-21622-1	-
X2713	X2713