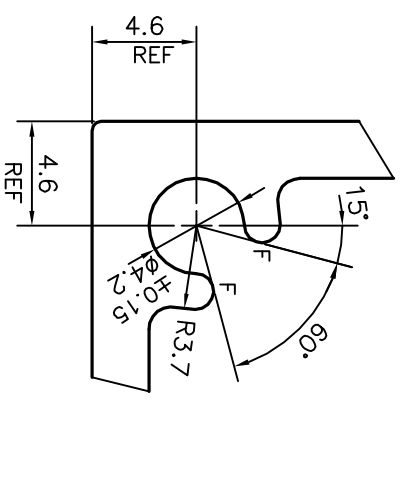
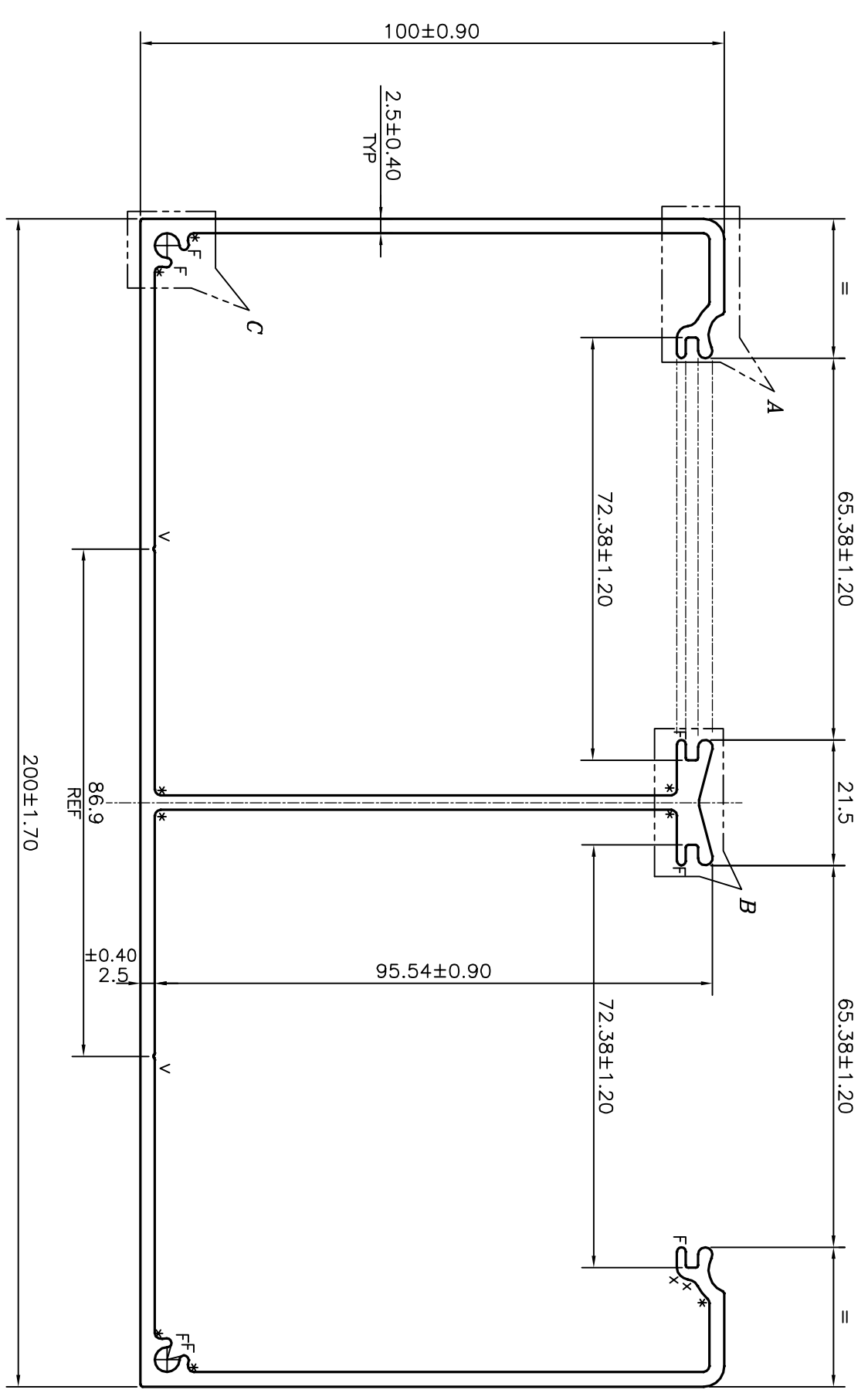
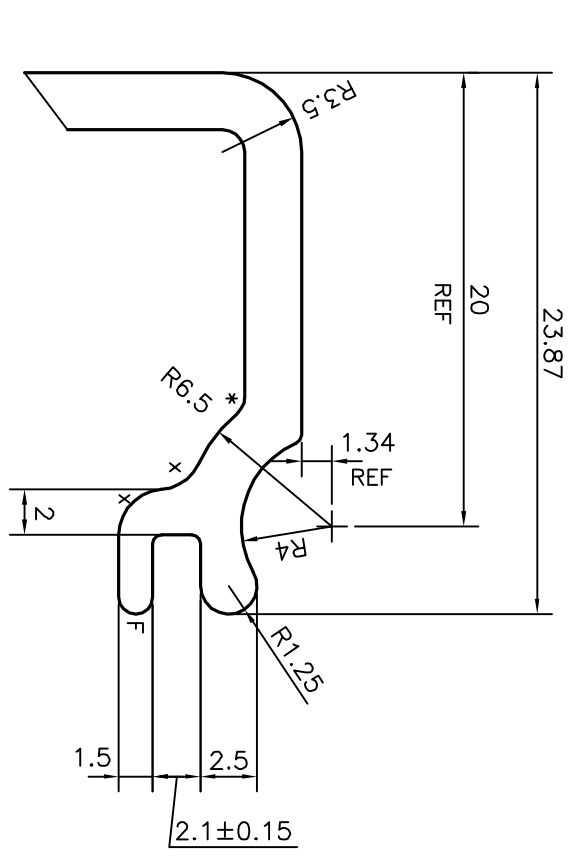
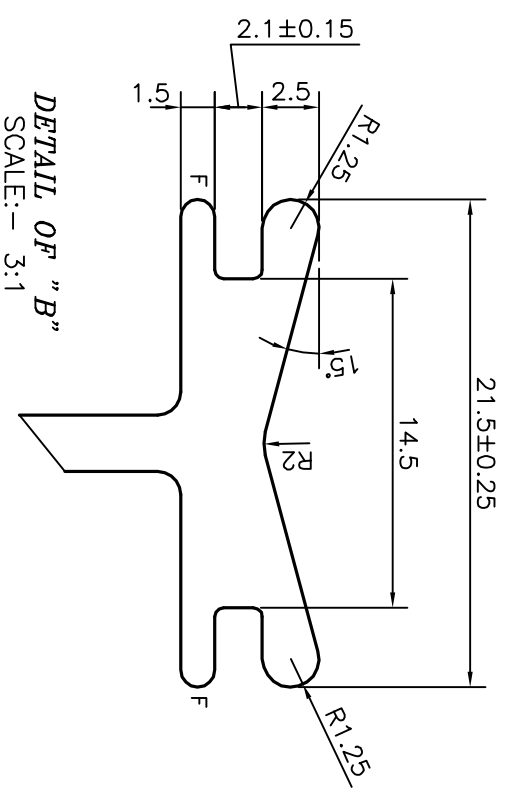



P-21712

X2720



AVERAGE WEIGHT: - 3.290 kg/m TO 4.543 kg/m

x = 2.0 RADIUS (4 PLACES)  
 \* = 1.0 RADIUS (10 PLACES)  
 F = FULL RADIUS (8 PLACES)  
 V = V GROOVE 0.3x90° (2 PLACES)

 <b>JINDAL ALUMINIUM LTD.</b> BANGALORE-560073 (INDIA)		SYMBOL OF QUALITY AN ISO 9001 COMPANY
1. ALL DIMENSIONS ARE IN mm. 2. ROUND OFF ALL SHARP CORNERS WITH 0.40 mm. 3. TOLERANCES WILL BE AS PER AS/NZS:1866-1997 UNLESS OTHERWISE SPECIFIED		
PARTY'S NAME	WAKEFIELD METALS, NEW ZEALAND	
PARTY'S DRAWING No.	EM-TCO 200X100 AL/1	
ALLOY & TEMPER	6063 T6	
DESCRIPTION	SKIRTING DUCT SECTION	
DRAWN	NAME	DATE
CHECKED	J.P. KAUSHIK	23-10-2020
APPROVED	B. NATARAJA	06-11-2020
SCALE	1:1	
AREA	mm <sup>2</sup>	1450.766
PERIMETER	mm.	1152.842
WEIGHT	kg/m	3.917
DRAWING No.	SECTION No.	
P-21712	-	
X2720	X2720	