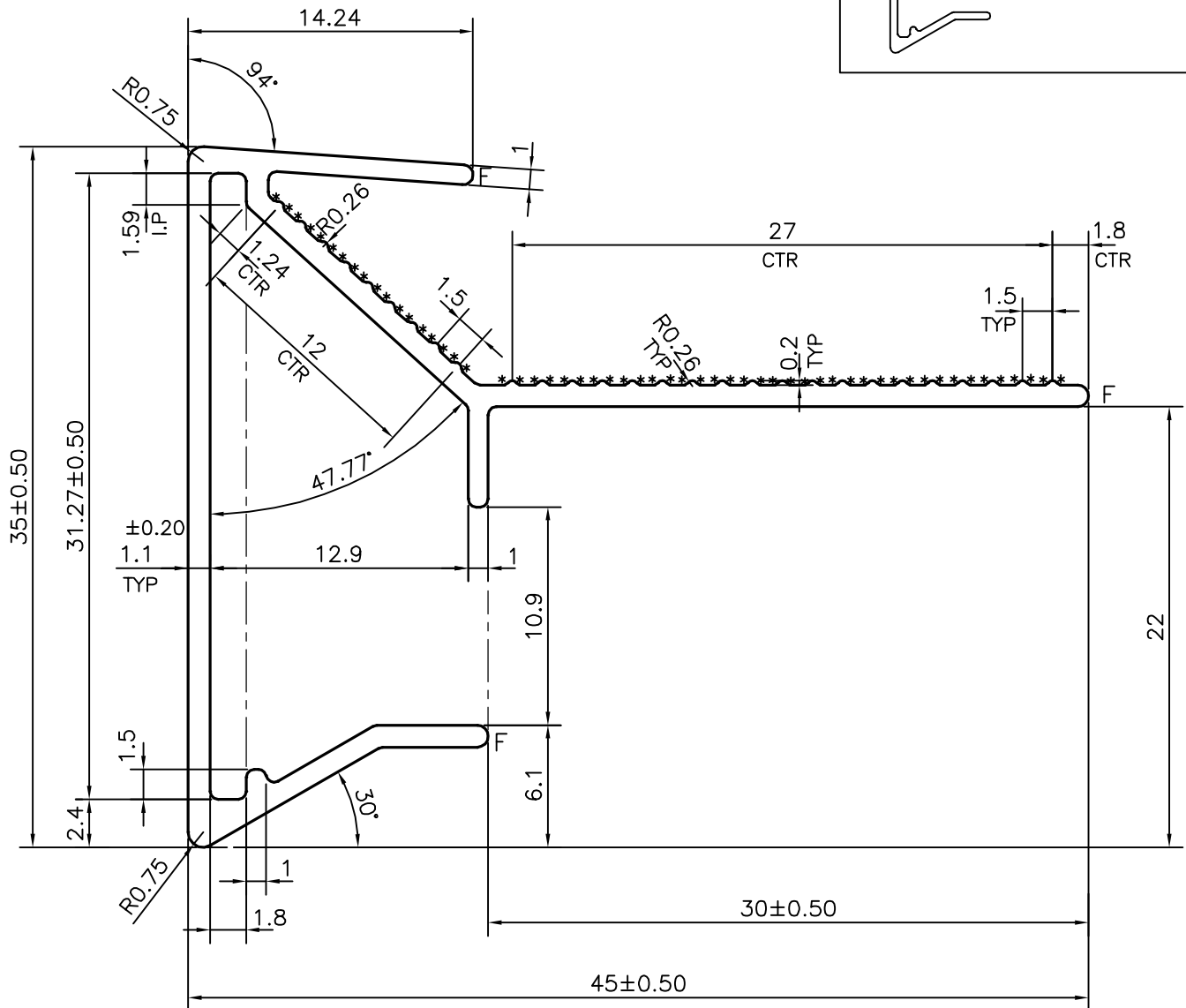
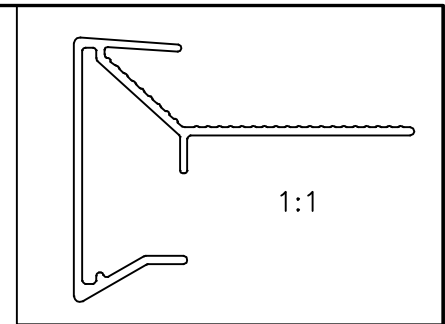



P-21681

X2768



F = FULL RADIUS (3 PLACES)
 UNSPECIFIED WALL THICKNESS 1.10±0.20 mm
 * = 0.20 RADIUS (56 PLACES)

AVERAGE WEIGHT:-0.314 kg/m TO 0.384 kg/m

 SYMBOL OF QUALITY AN ISO 9001 COMPANY	JINDAL ALUMINIUM LTD. BANGALORE-560073 (INDIA)	NAME	DATE
		DRAWN	J.P.KAUSHIK
		CHECKED	
		APPROVED	B.NATARAJA
		SCALE	3:1
		AREA mm ²	129.269
		PERIMETER mm.	232.114
		WEIGHT kg/m	0.349
PARTY'S NAME	THYSSENKRUPP MATERIALS, BELGIUM SA	DRAWING No.	SECTION No.
PARTY'S DRAWING No.	DK-35-30	P-21681	-
ALLOY & TEMPER	6060 T66	X2768	X2768
DESCRIPTION	MISC. SECTION		