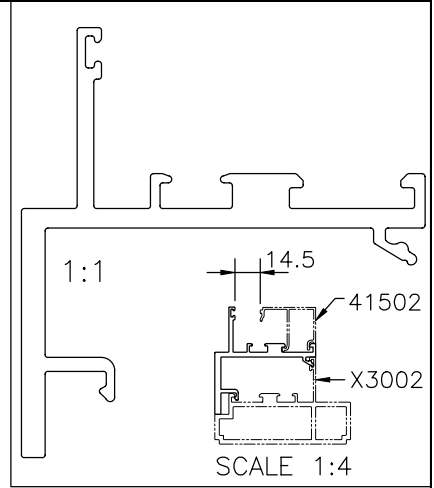
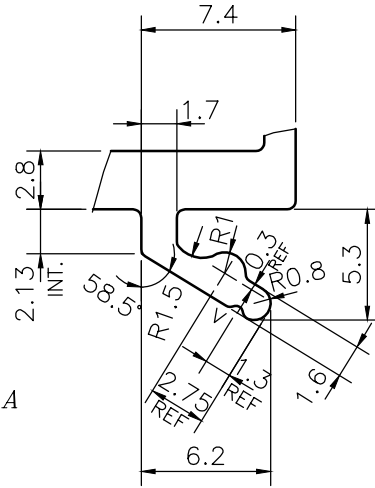
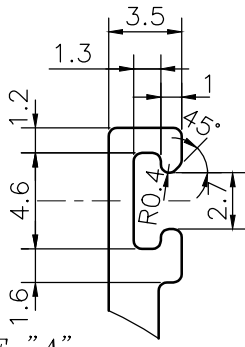
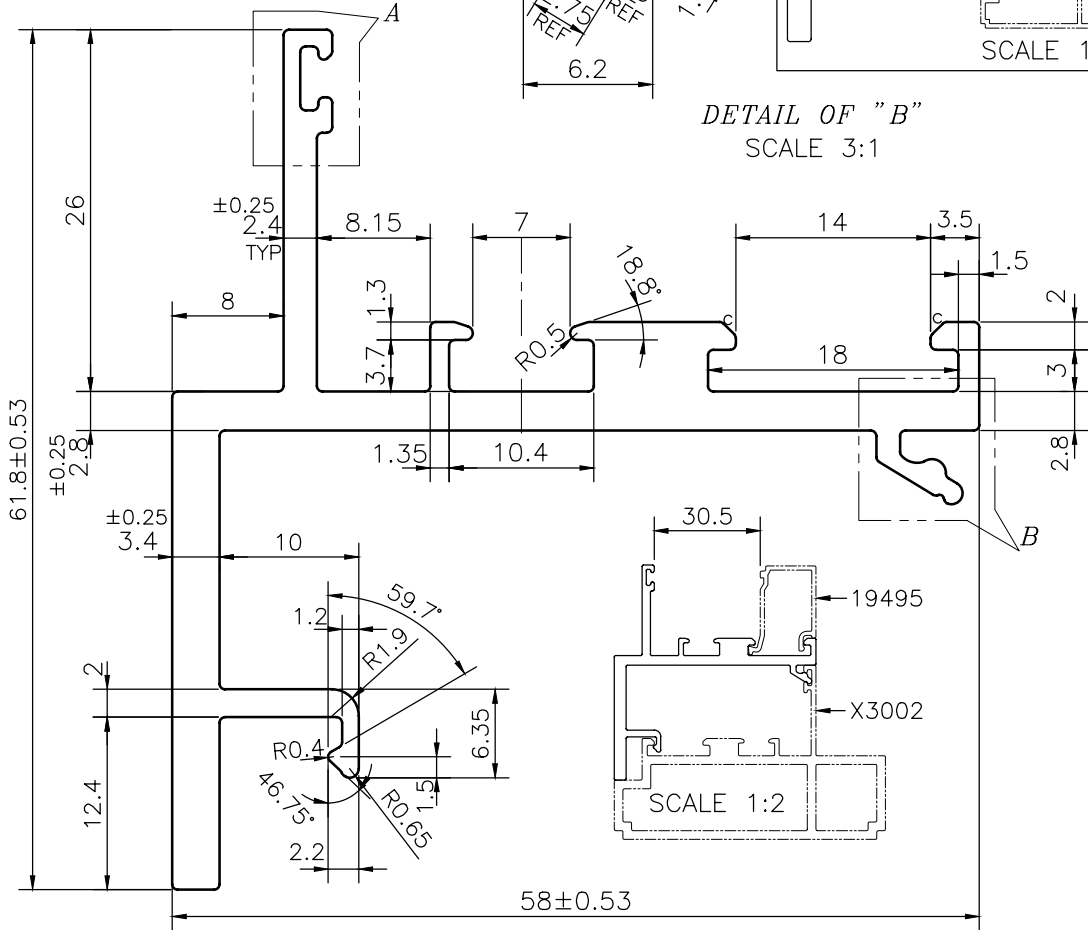


P-21879-1
36250
X3006

DETAIL OF "A"
SCALE 3:1



DETAIL OF "B"
SCALE 3:1



V = V GROOVE 0.3x90° (1 PLACE)

APPROXIMATE WEIGHT RANGE - 1.071 - 1.309 kg/m

C = CHAMFER 1x45°(2 PLACES)



SYMBOL OF QUALITY
AN ISO 9001 COMPANY

JINDAL ALUMINIUM LTD.
BANGALORE-560073 (INDIA)

	NAME	DATE
DRAWN	J.P.KAUSHIK	01-01-2021
CHECKED		
APPROVED	B.NATARAJA	12-01-2021
SCALE	2:1	
AREA	mm ²	440.698
PERIMETER	mm.	330.141
WEIGHT	kg/m	1.190
DRAWING No.	SECTION No.	
P-21879-1	-	
36250	36250	
X3006	X3006	

- ALL DIMENSIONS ARE IN mm.
- ROUND OFF ALL SHARP CORNERS WITH 0.40 mm.
- TOLERANCES WILL BE AS PER IS:3965-1981 UNLESS OTHERWISE SPECIFIED

PARTY'S NAME	GREENBUILD KONCEPTS, HYDERABAD
PARTY'S DRAWING No.	AS PER DRAWING
ALLOY & TEMPER	6063 T6
DESCRIPTION	INVERSION SECTION