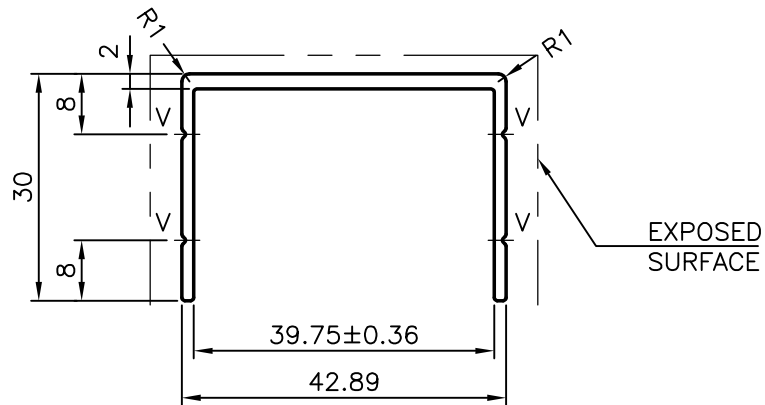


P-6067

X494



V = 0.5x90°xR0.3 (4 PLACES)



SYMBOL OF QUALITY
AN ISO 9001 COMPANY

JINDAL ALUMINIUM LTD.
BANGALORE-560073 (INDIA)

	NAME	DATE
DRAWN	MALINGAPPA	24-12-2005
CHECKED		
APPROVED		
SCALE		1:1
AREA mm ²		171.693
PERIMETER mm.		201.307
WEIGHT kg/m		0.464
DRAWING No.	SECTION No.	
P-6067	-	
X494	X494	

1. ALL DIMENSIONS ARE IN mm.
2. ROUND OFF ALL SHARP CORNERS WITH 0.40 mm.
3. TOLERANCES WILL BE AS PER COMMERCIAL UNLESS OTHERWISE SPECIFIED

PARTY'S NAME	PROSOURCE SOLUTIONS INC., CANADA
PARTY'S DRAWING No.	WS-7367
ALLOY & TEMPER	6063 T5
DESCRIPTION	MISC. CHANNEL