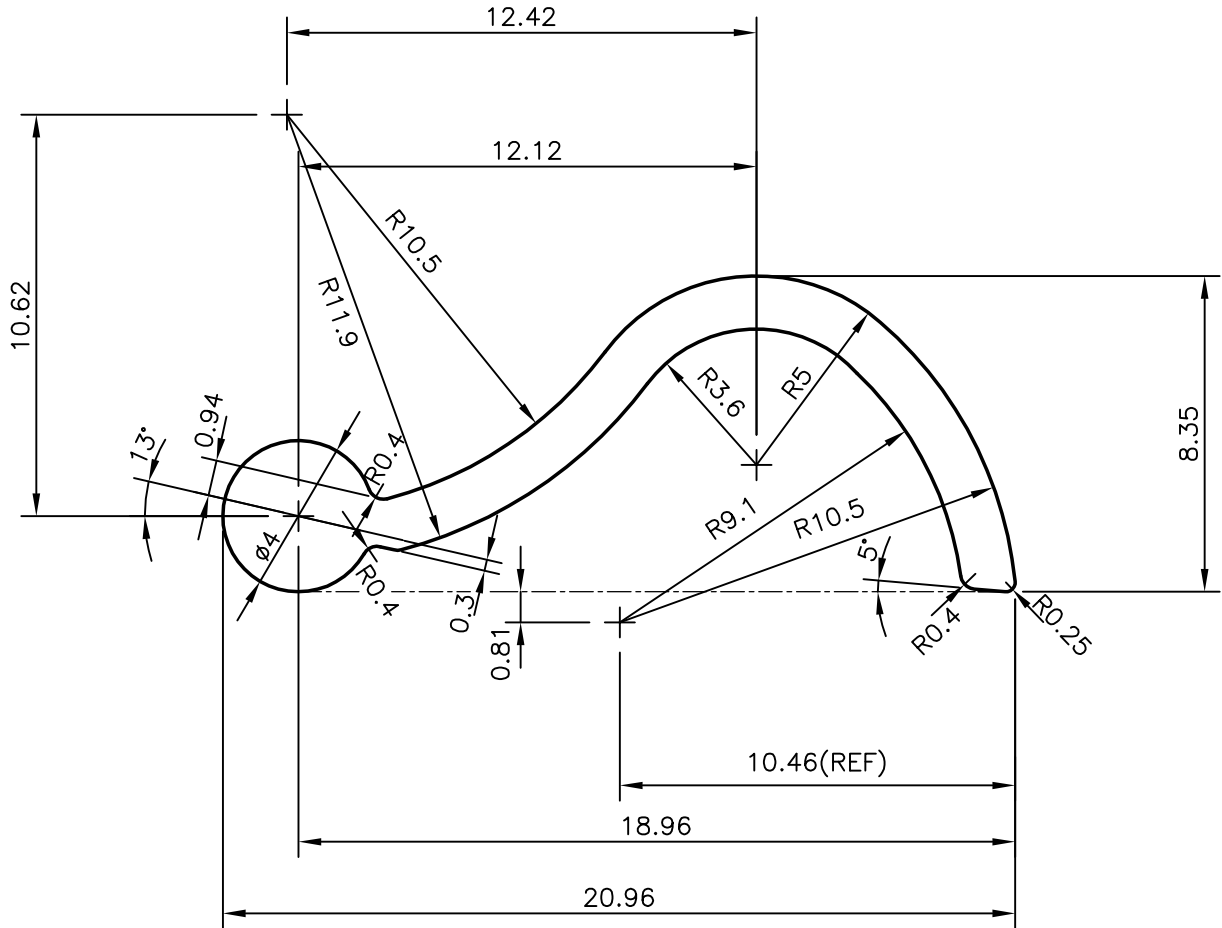
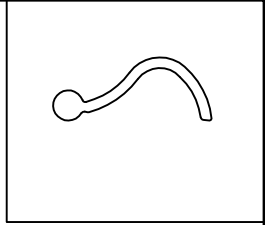
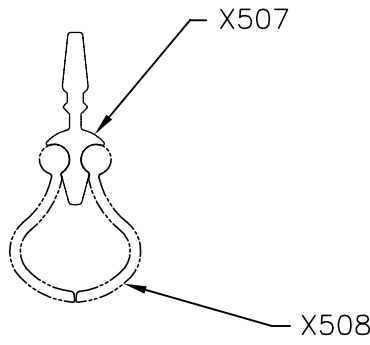


P-6144

X508



SYMBOL OF QUALITY
AN ISO 9001 COMPANY

JINDAL ALUMINIUM LTD.
BANGALORE-560073 (INDIA)

	NAME	DATE
DRAWN	J.P.KAUSHIK	18-01-2006
CHECKED		
APPROVED		
SCALE		5:1
AREA mm ²		44.352
PERIMETER mm.		58.074
WEIGHT kg/m		0.120
DRAWING No.	SECTION No.	
P-6144	-	
X508	X508	

1. ALL DIMENSIONS ARE IN mm.
2. ROUND OFF ALL SHARP CORNERS WITH 0.40 mm.
3. TOLERANCES WILL BE AS PER BS:1474-1987 UNLESS OTHERWISE SPECIFIED

PARTY'S NAME	AIR MASTER EQUIPMENTS EMIRATES LLC,
PARTY'S DRAWING No.	QUOT REF 5/01083
ALLOY & TEMPER	6063 T5
DESCRIPTION	AIR GRILL SECTION