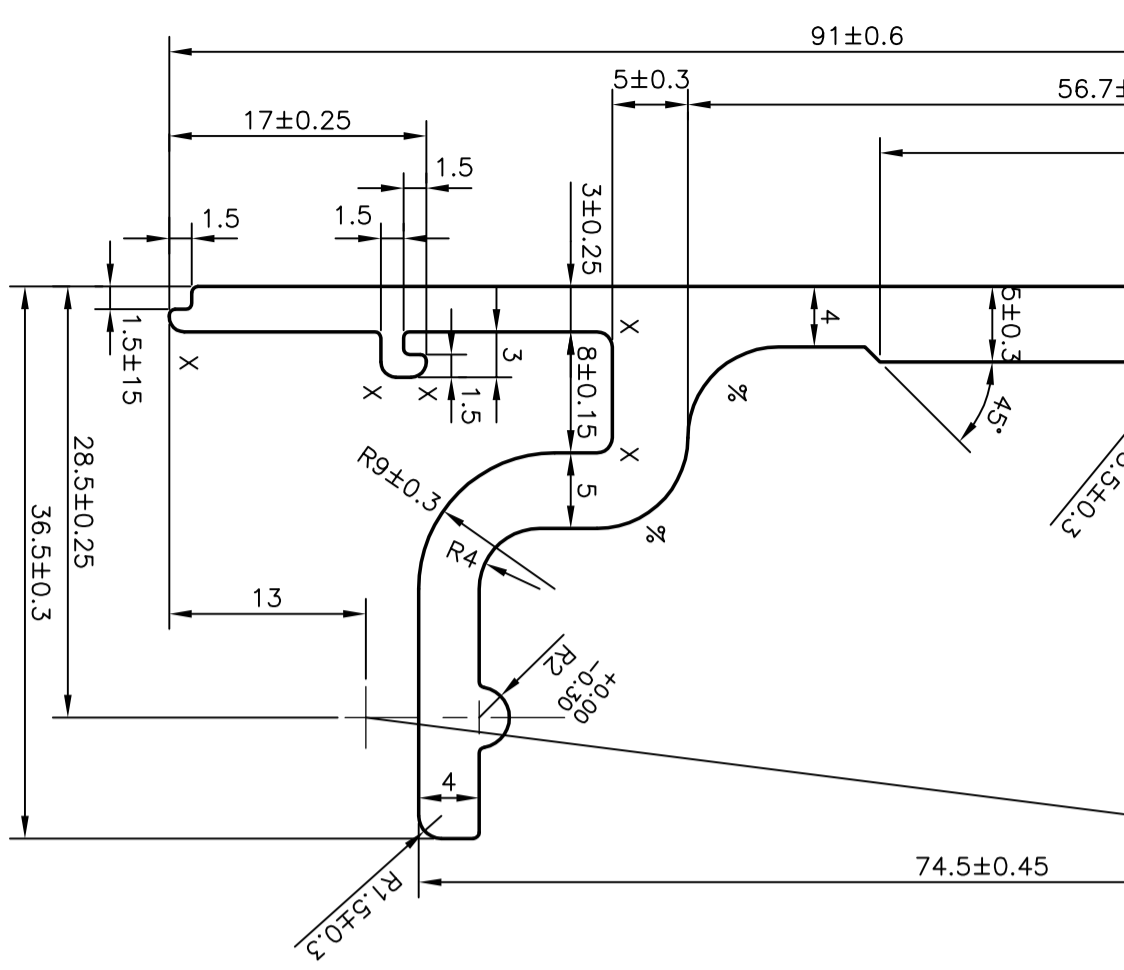
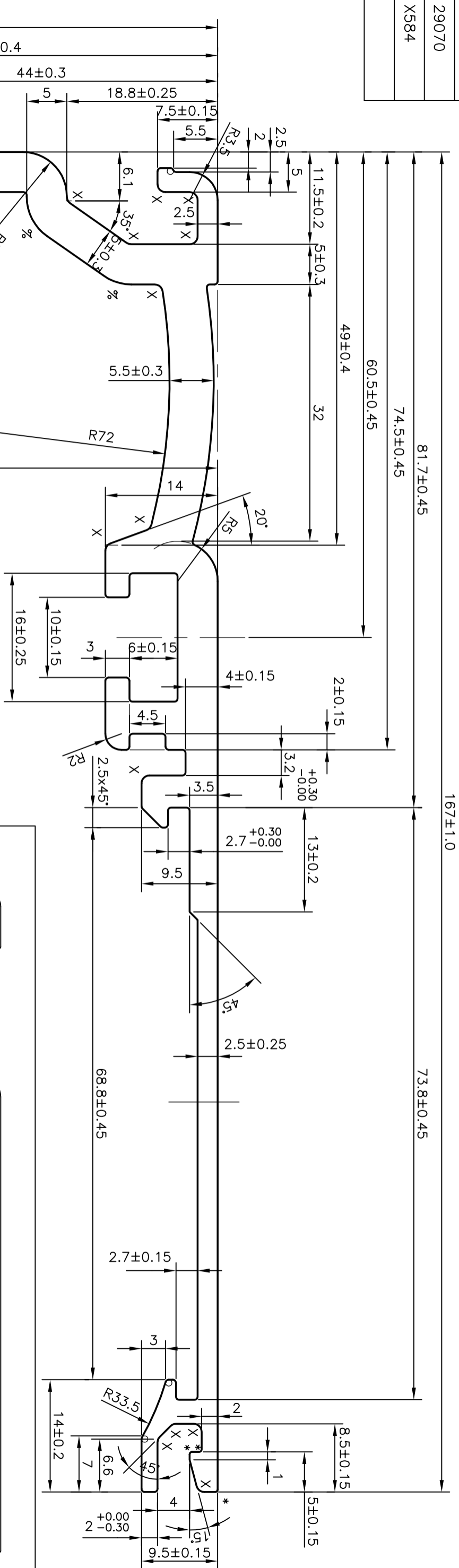
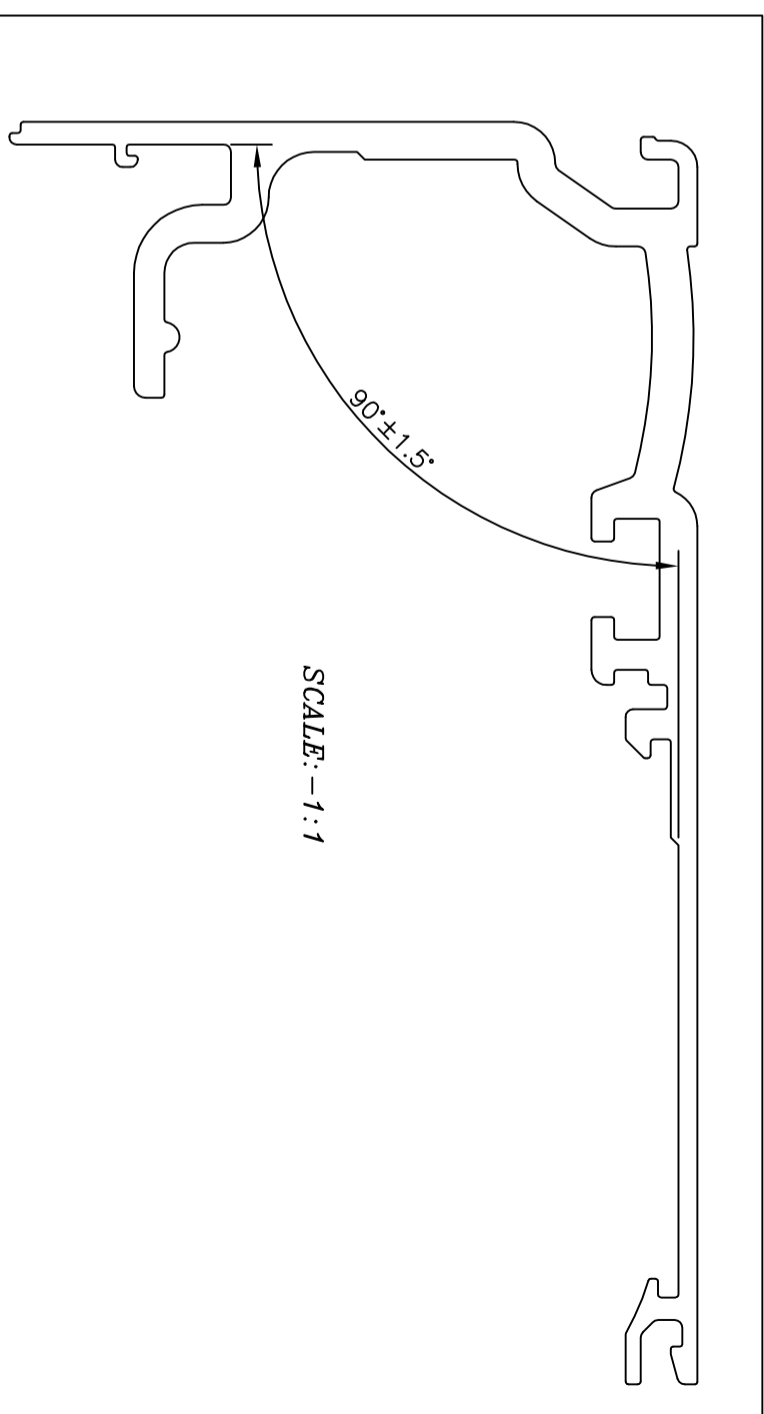



P-6270
X584
29070
X584



* = R0.3 (3 PLACES)
 X = R1.0 (19 PLACES)
 % = R6 (4 PLACES)
 MIN. TOL. 0-10mm = ±0.15mm



 <p>SYMBOL OF QUALITY AN ISO 9001 COMPANY</p>		<p>JINDAL ALUMINIUM LTD. BANGALORE-560073 (INDIA)</p>	
<p>1. ALL DIMENSIONS ARE IN mm. 2. ROUND OFF ALL SHARP CORNERS WITH 0.40 mm. 3. TOLERANCES WILL BE AS PER EN12020-2 UNLESS OTHERWISE SPECIFIED</p>			
PARTY'S NAME	DORMA INDIA PVT. LTD., CHENNAI		
PARTY'S DRAWING No.	255050-00-1-20		
ALLOY & TEMPER	HE9 WP (AIMgSi 0.5 F22)		
DESCRIPTION	MISC. SECTION		
DRAWN	NAME	DATE	
CHECKED	MALINGAPPA	25-03-2006	
APPROVED			
SCALE	2:1		
AREA	mm ²	1366.784	
PERIMETER	mm.	705.034	
WEIGHT	kg/m	3.690	
DRAWING No.	SECTION No.		
P-6270	-		
X584	X584		
29070	29070		
X584	X584		