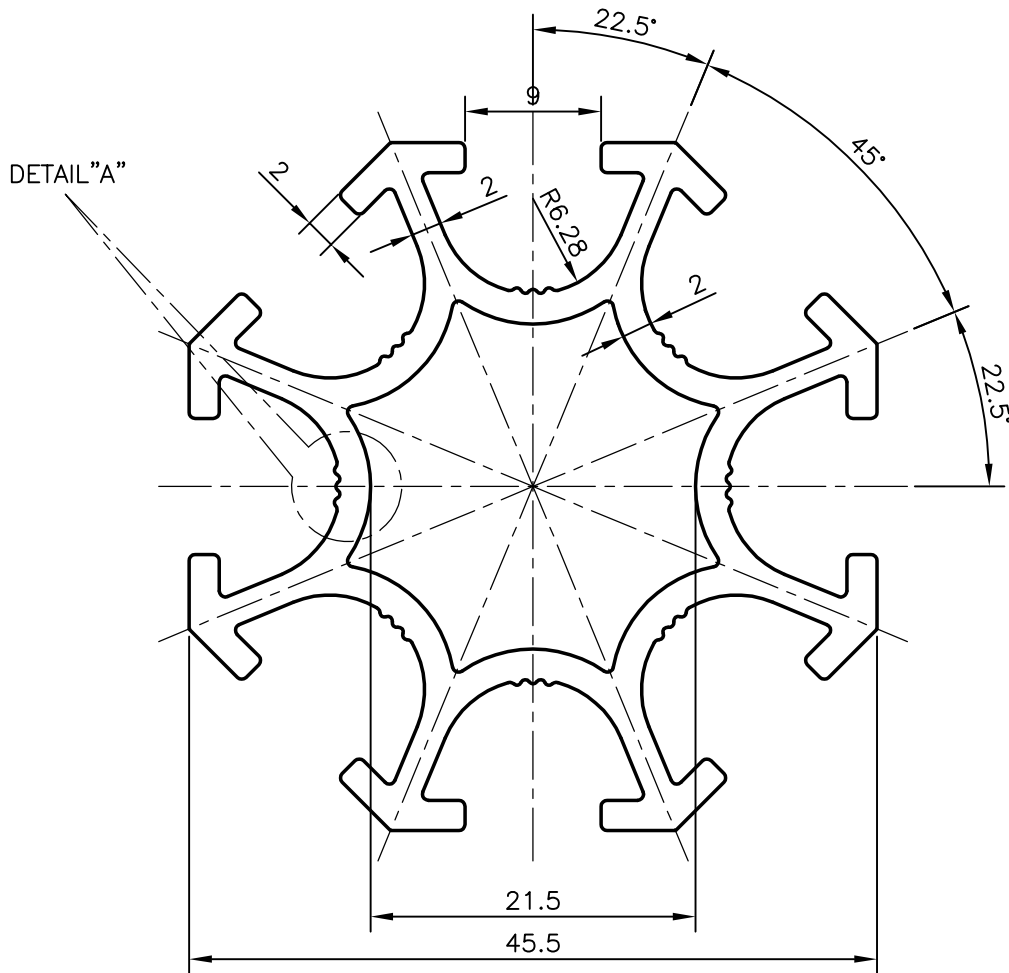
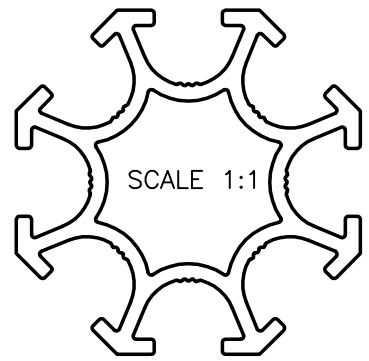
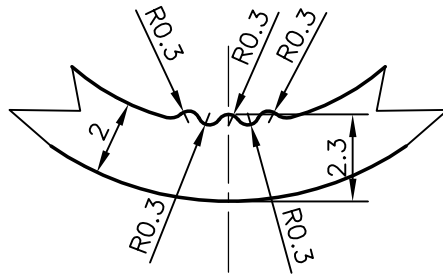


P-6808-1

X648

DETAIL "A"  
SCALE 5:1



SYMBOL OF QUALITY  
AN ISO 9002 COMPANY

**JINDAL ALUMINIUM LTD.**  
BANGALORE-560073 (INDIA)

	NAME	DATE
DRAWN	RAGHAVENDRA	15-11-2006
CHECKED		
APPROVED		

1. ALL DIMENSIONS ARE IN mm.
2. ROUND OFF ALL SHARP CORNERS WITH 0.40 mm.
3. TOLERANCES WILL BE AS PER EN12020-2:2001 UNLESS OTHERWISE SPECIFIED

SCALE	2:1
AREA mm <sup>2</sup>	455.753
PERIMETER mm.	341.14
WEIGHT kg/m	1.231

PARTY'S NAME	PROSOURCE SOLUTIONS INC., CANADA
PARTY'S DRAWING No.	AS PER SAMPLE
ALLOY & TEMPER	6063 T5
DESCRIPTION	DISPLAY SECTION

DRAWING No.	SECTION No.
P-6808-1	-
X648	X648