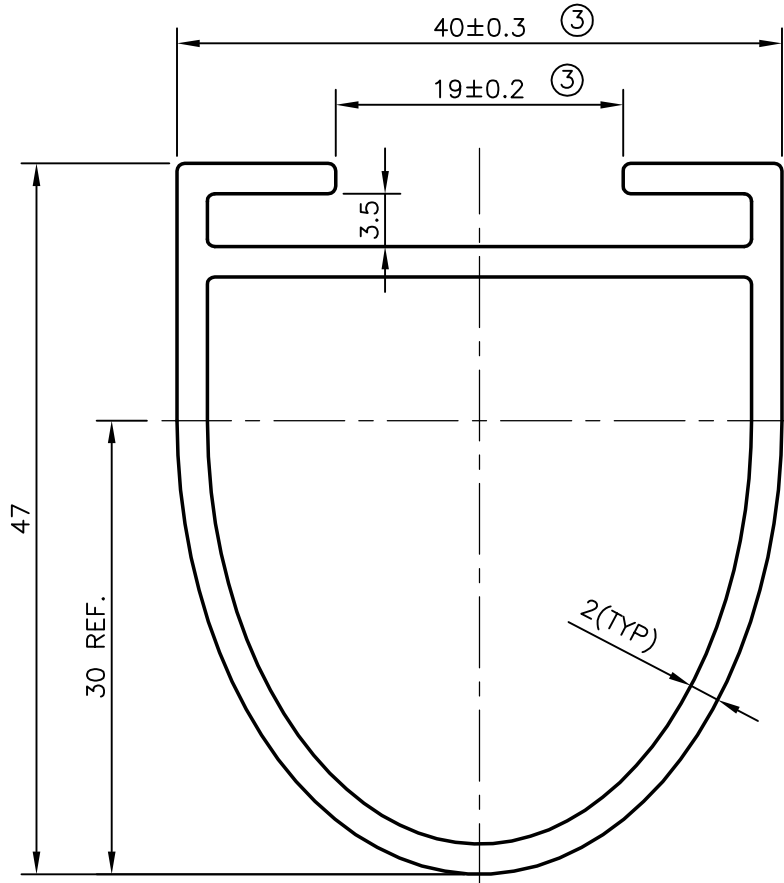
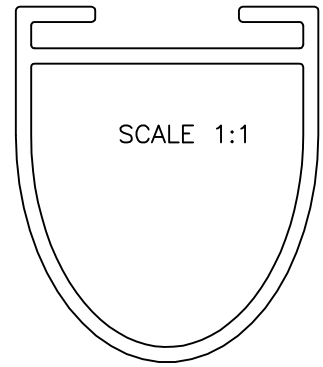


P-7723

X752

ISSUE - 2  
SHAPE CHANGED & WEIGHT ALSO CHANGED FROM  
0.855 kg/m TO 0.881 kg/m

ISSUE - 3  
TOLERANCE ADDED FOR 40±0.3 mm & 19±0.2 mm



- 1. UNSPECIFIED WALL THICKNESS = 2.00 mm
- 2. UNSPECIFIED RADIUS = R0.50 mm



SYMBOL OF QUALITY  
AN ISO 9001 COMPANY

**JINDAL ALUMINIUM LTD.**  
BANGALORE-560073 (INDIA)

	NAME	DATE
DRAWN	PRASANN.H	17-06-2008
CHECKED		
APPROVED		

- 1. ALL DIMENSIONS ARE IN mm.
- 2. ROUND OFF ALL SHARP CORNERS WITH 0.50 mm.
- 3. TOLERANCES WILL BE AS PER IS:6477-1983 UNLESS OTHERWISE SPECIFIED

SCALE	2:1
AREA mm <sup>2</sup>	326.411
PERIMETER mm.	196.181
WEIGHT kg/m	0.881 (2)

PARTY'S NAME	WIPRO CONSUMER CARE & LIGHTING, BANGALORE
PARTY'S DRAWING No.	STL D 0005
ALLOY & TEMPER	6063 T6
DESCRIPTION	CROSS RAIL-FURNITURE SECTION

DRAWING No.	SECTION No.
P-7723	-
X752	X752-ISSUE-3