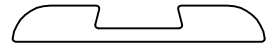
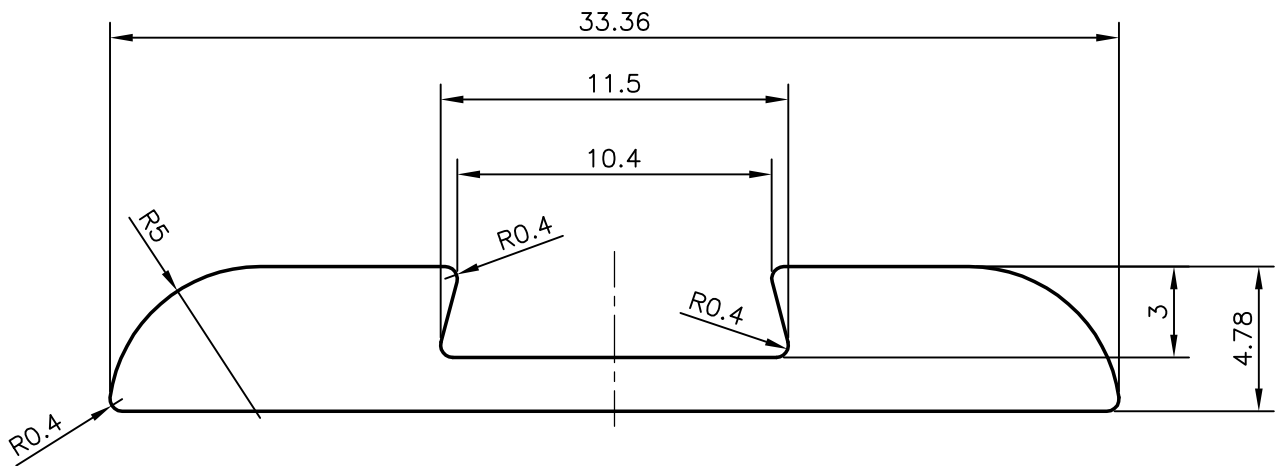


P-8270-1

X898



SCALE 1:1



SYMBOL OF QUALITY  
AN ISO 9001 COMPANY

**JINDAL ALUMINIUM LTD.**  
BANGALORE-560073 (INDIA)

	NAME	DATE
DRAWN	PRASANNA.H	16-05-2008
CHECKED		
APPROVED		

1. ALL DIMENSIONS ARE IN mm.
2. ROUND OFF ALL SHARP CORNERS WITH 0.40 mm.
3. TOLERANCES WILL BE AS PER BS:EN-755 UNLESS OTHERWISE SPECIFIED

SCALE	4:1
AREA mm <sup>2</sup>	116.196
PERIMETER mm.	78.278
WEIGHT kg/m	0.314

PARTY'S NAME	ABC COOCH WORKS LTD., MAURITIUS
PARTY'S DRAWING No.	MODIFIED DRAWING 23798 & AS PER REQUIREMENT
ALLOY & TEMPER	6063 T6
DESCRIPTION	SHOW BEADING

DRAWING No.	SECTION No.
P-8270-1	-
X898	X898