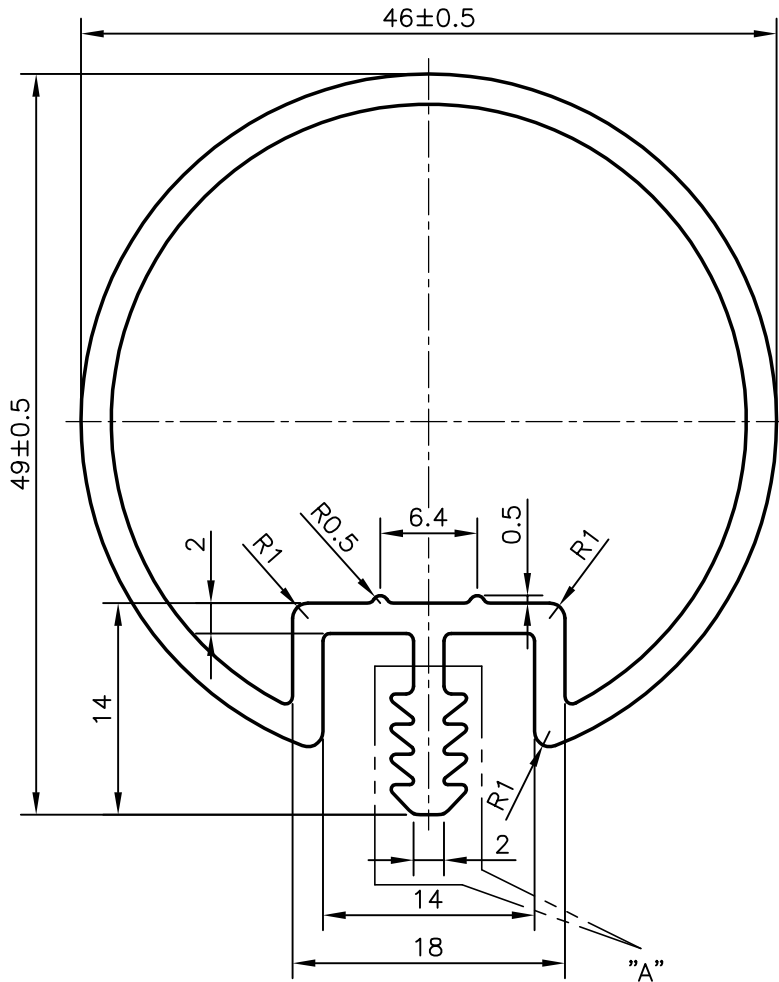
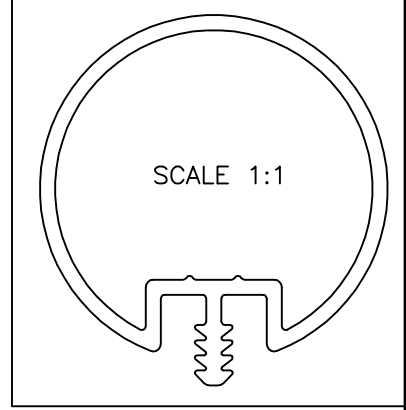
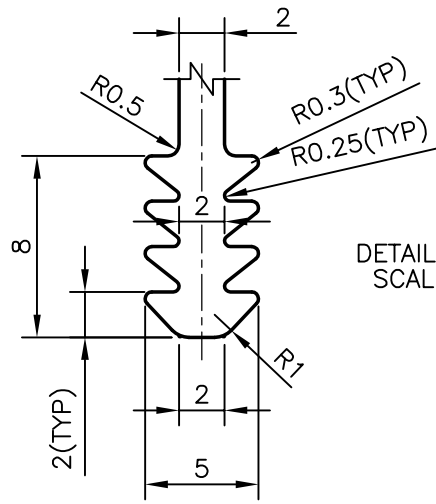


P-8233-1

X936



UNSPECIFIED RADIUS = R0.50 mm



SYMBOL OF QUALITY
AN ISO 9001 COMPANY

JINDAL ALUMINIUM LTD.
BANGALORE-560073 (INDIA)

| | NAME | DATE |
|----------|------------|------------|
| DRAWN | PRASANNA.H | 14-05-2008 |
| CHECKED | | |
| APPROVED | | |

1. ALL DIMENSIONS ARE IN mm.
2. ROUND OFF ALL SHARP CORNERS WITH 0.50 mm.
3. TOLERANCES WILL BE AS PER BS:EN-755 UNLESS OTHERWISE SPECIFIED

| | |
|----------------------|---------|
| SCALE | 2:1 |
| AREA mm ² | 342.545 |
| PERIMETER mm. | 196.527 |
| WEIGHT kg/m | 0.925 |

| | |
|---------------------|---------------------------------------|
| PARTY'S NAME | SYNSEAL EXTRUSIONS LTD., U.K. |
| PARTY'S DRAWING No. | 5RA-BCP1 (98-10658)/ISSUE NO. ORDER A |
| ALLOY & TEMPER | 6063 T6 |
| DESCRIPTION | LEGEND 70 BAY CORNER POLE (ALI) |

| DRAWING No. | SECTION No. |
|-------------|-------------|
| P-8233-1 | - |
| X936 | X936 |
| | |
| | |