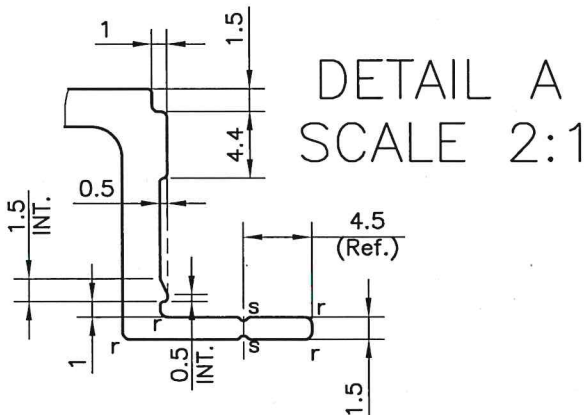
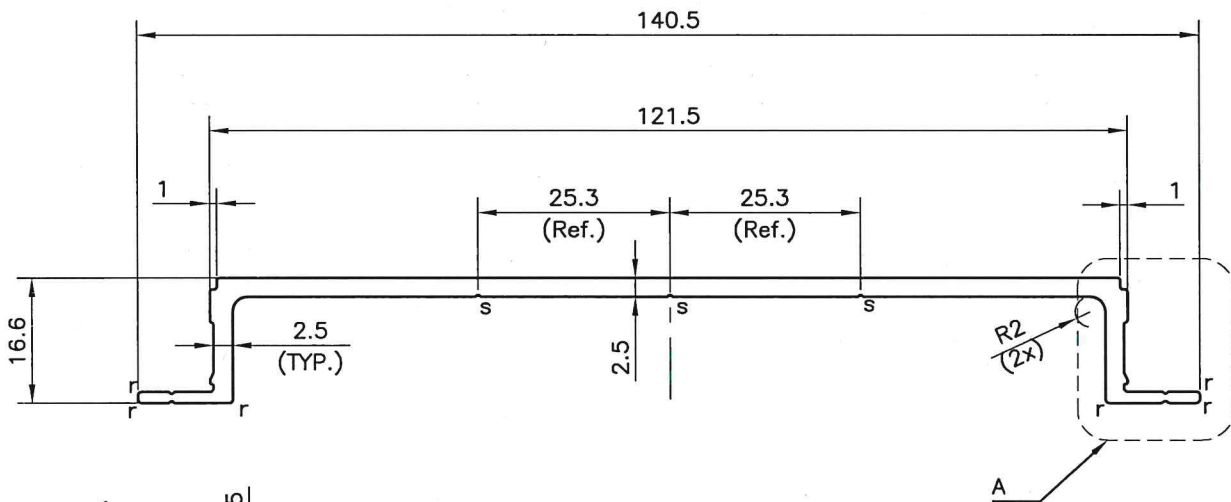
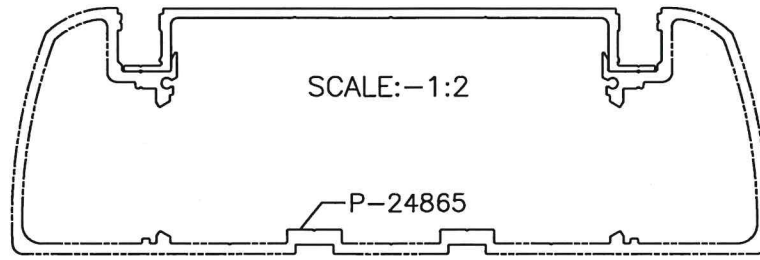


P-JAL-B-109

BEFORE APPROVAL CHECK ALL DIMENSIONS PROPERLY

XE-0001



NOTE:-

$r = 0.50R$
 $s = 0.25R$



SYMBOL OF QUALITY
AN ISO 9001 COMPANY

JINDAL ALUMINIUM LTD.
 BHIWADI-301019 (INDIA)

	NAME	DATE
DRAWN	ASHUTOSH	19-01-2023
CHECKED	<i>Junil</i>	13-2-23
APPROVED	<i>Mani</i>	13/02/23

- ALL DIMENSIONS ARE IN mm.
- ROUND OFF ALL SHARP CORNERS WITH 0.40 mm.
- TOLERANCES WILL BE AS PER BS:EN-755-9 , UNLESS OTHERWISE SPECIFIED

SCALE	1:1
AREA mm ²	406.28
PERIMETER mm.	341.66
WEIGHT kg/m	1.097

PARTY'S NAME	M/s. EUBIQ HEALTHCARE & LIGHTING CO.
PARTY'S DRAWING No.	AS PER DRAWING EHLC-HP-002-00 (Q00289)
ALLOY & TEMPER	6063-T6
DESCRIPTION	COVER CAP (INDUSTRIAL SECTION)

DRAWING No.	SECTION No.
P-JAL-B-109	XE-0001