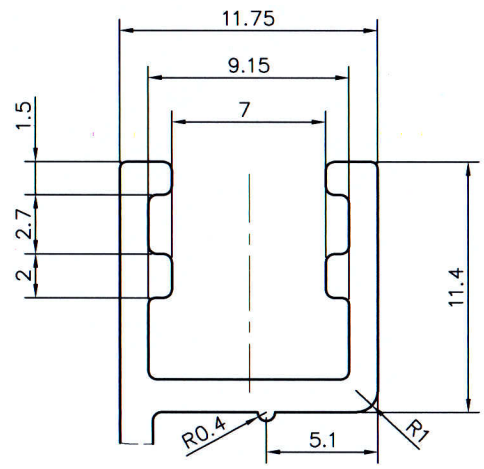
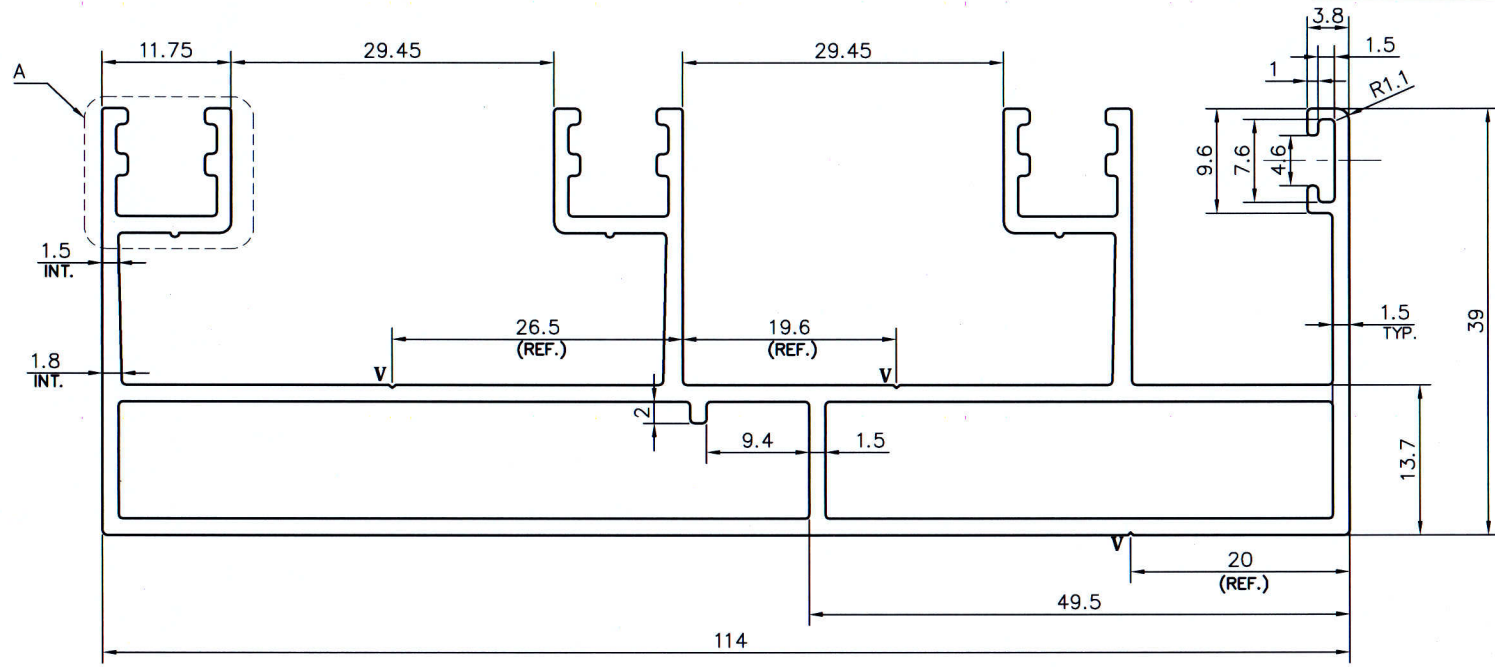
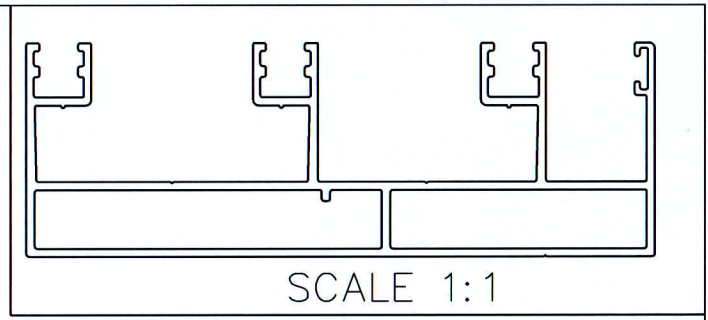


P-JAL-B-225

XX0003




DETAIL A
SCALE 4:1

NOTE:-
V= 0.3x90° V GROOVE (3 PLACES)

1. STRAIGHTNESS= 1.7mm/M
2. TWIST= 1.7mm/M
3. ANGULARITY= ±2'
4. FLATNESS= 0.007xWIDTH

(Q00696)

 SYMBOL OF QUALITY AN ISO 9001 COMPANY	JINDAL ALUMINIUM LTD. BHIWADI-301019 (INDIA)		NAME	DATE
	DRAWN	ASHUTOSH	29-05-2023	
	CHECKED	<i>[Signature]</i>	29/05/23	
APPROVED	<i>[Signature]</i>	29/06/23	SCALE	2:1
1. ALL DIMENSIONS ARE IN mm. 2. ROUND OFF ALL SHARP CORNERS WITH 0.40 mm. 3. TOLERANCES WILL BE AS PER BS:EN-755-9 , UNLESS OTHERWISE SPECIFIED			AREA mm ²	658.23
			PERIMETER mm.	606.74
			WEIGHT kg/m	1.777
PARTY'S NAME	M/s. RG FACADE SOLUTIONS, GHAZIABAD		DRAWING No.	SECTION No.
PARTY'S DRAWING No.	AS PER DRAWING		P-JAL-B-225	XX0003
ALLOY & TEMPER	6063 - T6		XX0003	XX0003
DESCRIPTION	WINDOW SECTION			