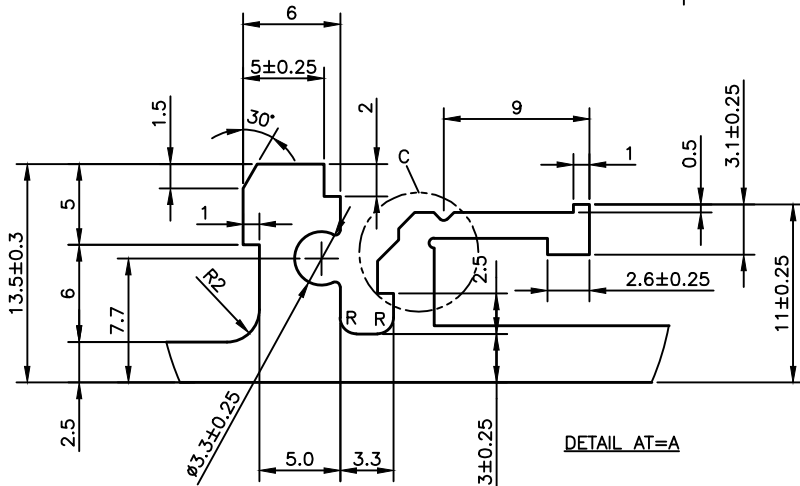
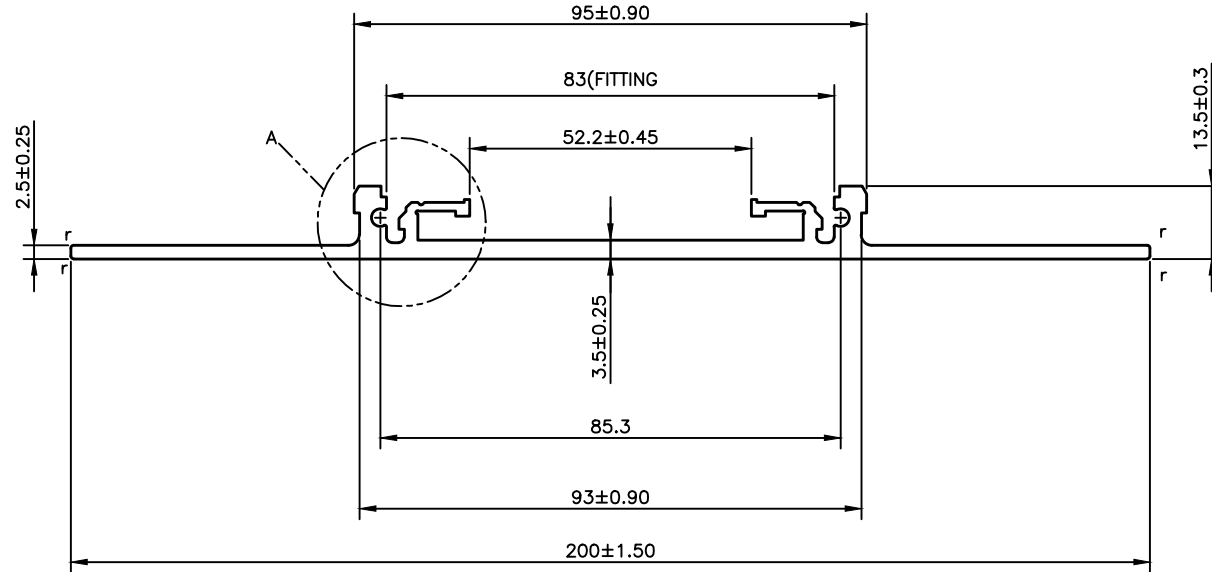



DETAIL AT=C

NOTE:-

R = 1.0R
r = 0.5R



DETAIL AT=A

| | | | |
|--|--|----------------------|-----------------------|
|  SYMBOL OF QUALITY AN ISO 9001 COMPANY | JINDAL ALUMINIUM LTD. BANGALORE-560073 (INDIA) | NAME | DATE |
| | | DRAWN | S.K.SHARMA 21-01-2022 |
| 1. ALL DIMENSIONS ARE IN mm. 2. ROUND OFF ALL SHARP CORNERS WITH 0.40 mm. 3. TOLERANCES WILL BE AS PER IS:6477-1983 , UNLESS OTHERWISE SPECIFIED | | CHECKED | |
| PARTY'S NAME | | APPROVED | |
| M/S. DHASHMEH ELECTRICAL | | SCALE | 1:1&3:1 |
| PARTY'S DRAWING No. | | AREA mm ² | 754.81 |
| AS PER DRAWING | | PERIMETER mm. | 531.36 |
| ALLOY & TEMPER | | WEIGHT kg/m | 2.038 |
| 6063 T6 | | DRAWING No. | SECTION No. |
| DESCRIPTION | | IAL-D-6515 | - |
| ELECTRICAL SECTION | | 25444 | 25444 |