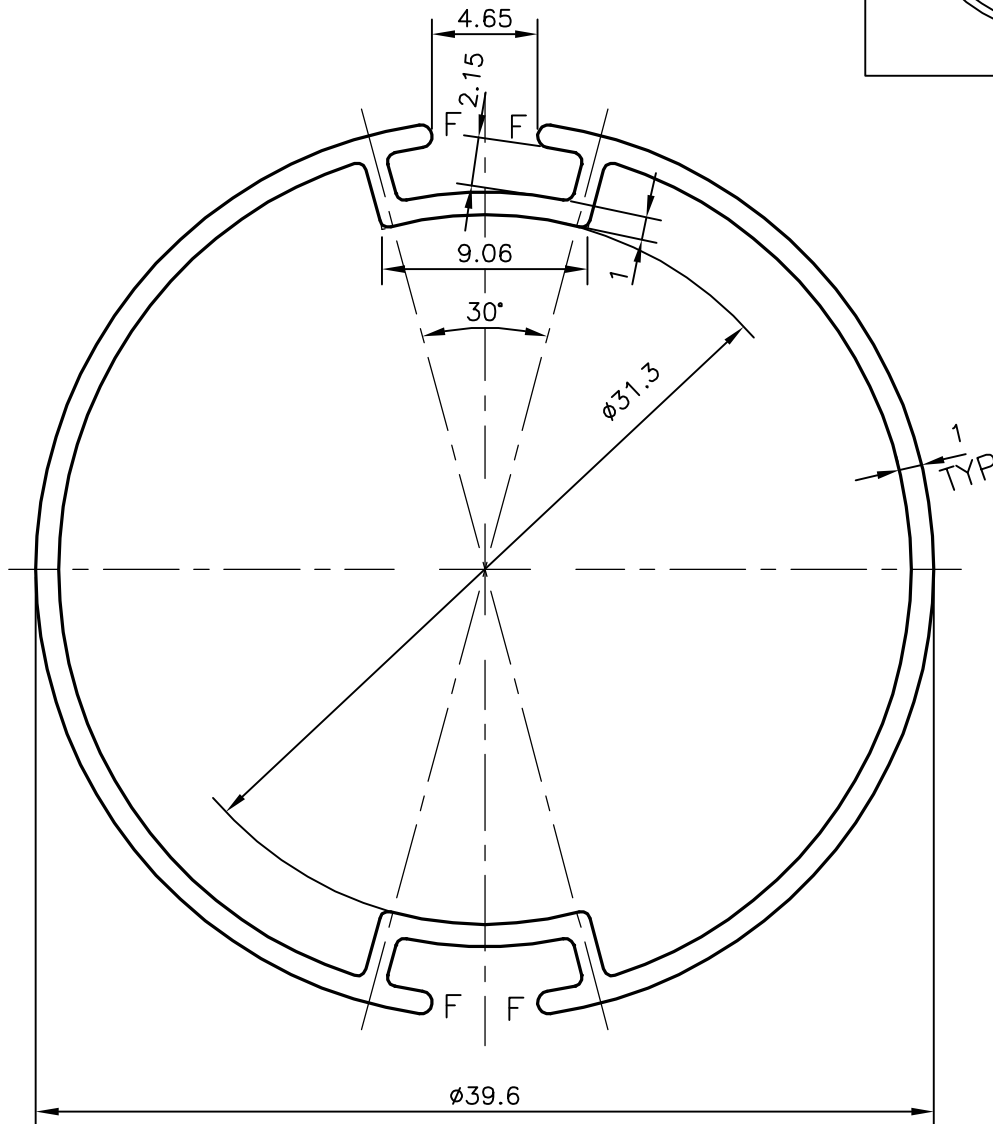
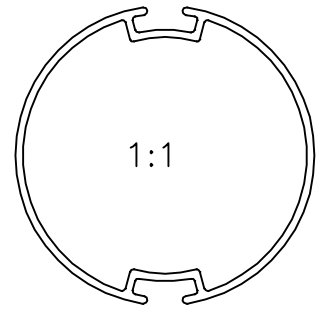


P-15365

S4786



F = FULL RADIUS(4 PLACES)



SYMBOL OF QUALITY  
AN ISO 9001 COMPANY

**JINDAL ALUMINIUM LTD.**  
BANGALORE-560073 (INDIA)

	NAME	DATE
DRAWN	J.P.KAUSHIK	17-12-2015
CHECKED		
APPROVED	S.S.GARG	19-12-2015
SCALE		3:1
AREA mm <sup>2</sup>		139.293
PERIMETER mm.		148.362
WEIGHT kg/m		0.376
DRAWING No.	SECTION No.	
P-15365	-	
S4786	S4786	

1. ALL DIMENSIONS ARE IN mm.
2. ROUND OFF ALL SHARP CORNERS WITH 0.40 mm.
3. TOLERANCES WILL BE AS PER IS:6477-1983 UNLESS OTHERWISE SPECIFIED

PARTY'S NAME	MAC LIFESSTYLE PRODUCTS PVT.LTD., NEW DELHI
PARTY'S DRAWING No.	LIGHTER & MODIFIED OF 22086
ALLOY & TEMPER	HE9 WP
DESCRIPTION	VENETIAN BLIND SECTION